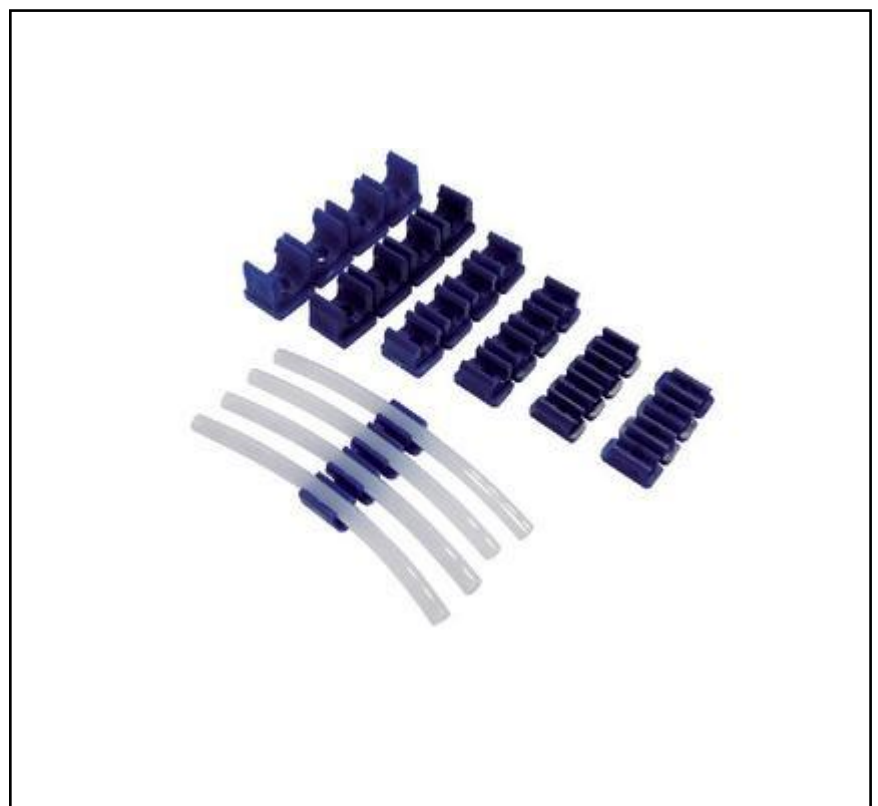


FEATURES

- Space Saving
- Weather ability
- Excellent resistance to vibrations

RS PRO FIXED BRACKET TUBE

RS Stock No.: 2312527



RS PROfessionally Approved Products bring to you professional quality parts across all product categories. Our product range has been tested by engineers and provides a comparable quality to the leading brands without paying a premium price.

Product Description

The RS PRO fixed bracket tube has quick fitting ability. Requires 10 x 8mm tube position. It is compatible with Compressed air / Water / Hydraulic Oil / Water Glycol / Diesel Fuel / Petrol. Ability to Quick tube fitting by simple pressure. RoHS and REACH compliant.

General Specifications

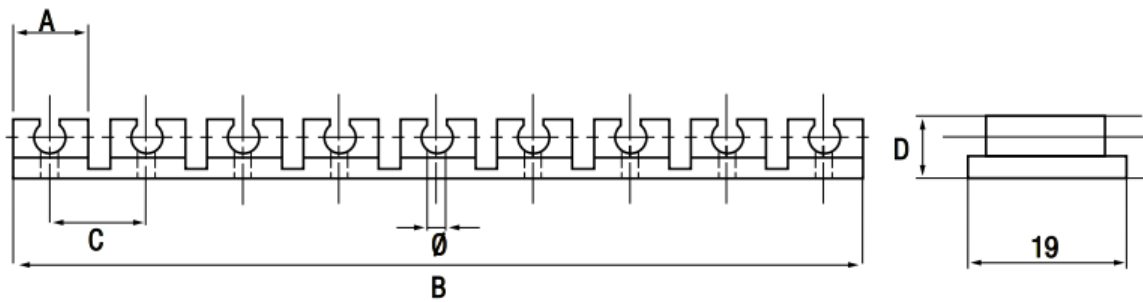
Product Type	Fixed Bracket Tube
For Use With	Bracket
Applications	Quick fitting, Space Saving, Weather ability, Excellent resistance to vibrations, Quick tube fitting by simple pressure

Mechanical Specifications

Tube Position	10 x 8mm
N° Positions	10
Diameter	3.8mm
Length	143mm

Operation Environment Specifications

Temperature Range	0°C to +40°C
--------------------------	--------------



Tube Position	Pack.
10 x 8 mm	10