

FEATURES

- Versatile and easy to fit
- Hexagonal design allows tightening with a wrench
- Lock PCB securely into place
- Mild steel material for mechanical strength and resistance to high-temperature environments
- Zinc plating for resistance to oxidation and corrosion

RS PRO Steel Hex Standoff Male/Female, 15mm, M3 x M3

RS Stock No.: 806-6572



RS Professionally Approved Products bring to you professional quality parts across all product categories. Our product range has been tested by engineers and provides a comparable quality to the leading brands without paying a premium price.

Product Description

From RS Pro a range of robust, high-quality hexagonal shaped standoffs made from zinc plated mild steel with a metric internal thread or threaded stud on either end. These versatile standoffs are designed to securely mount your PCB as well as elevating it from other components such as the inside of a computer chassis or another PCB. They are also ideal for improving airflow space around components when the equipment becomes hot. These stand-offs are available in a range of different heights and threads sizes to suit a wide range of PCB applications.

General Specifications

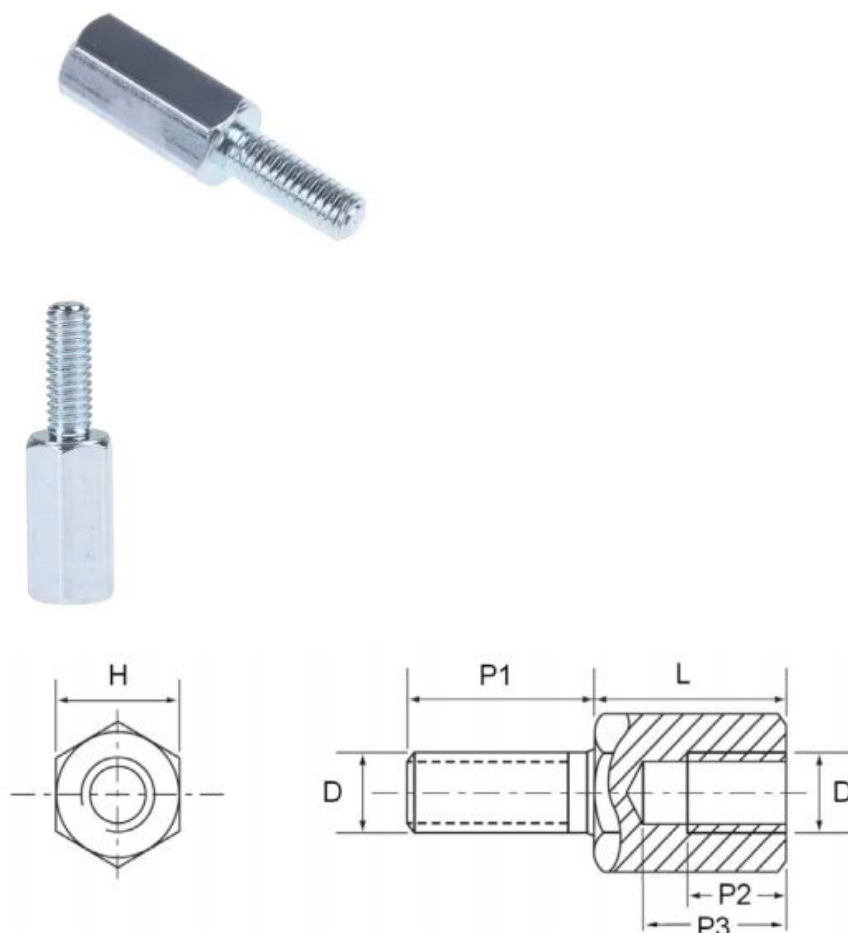
| | |
|--------------------|---|
| Gender Type | Male/Female |
| Material | Steel |
| Body Shape | Hex |
| Finish | Zinc Plated |
| Plating | Zinc |
| Application | Consumer electronics, office machinery, Datacom's and telecommunications equipment. |

Mechanical Specifications

| | |
|-----------------------------|---------|
| Body Length | 15mm |
| Thread Size | M3 x M3 |
| Stud Length | 8mm |
| Thread Size A | M3 |
| Thread Size B | M3 |
| Hex Size Across Flat | 5mm |
| Hole Depth | 13mm |
| Internal Thread Size | 8mm |

Approvals

| | |
|----------------------------------|---------|
| Compliance/Certifications | EN61340 |
|----------------------------------|---------|



| RS Article | Description | Material | Plating | H | D | P1 | P2 | P3 | L |
|------------|---------------------------------------|----------|---------|---|----|----|----|-----|----|
| 8066714 | Brass Hex Threaded Spacer M4x10mm M/F | Brass | Nickel | 7 | M4 | 8 | 7 | 8.5 | 10 |
| 8066718 | Brass Hex Threaded Spacer M4x12mm M/F | | | | | | 8 | 10 | 12 |
| 8066727 | Brass Hex Threaded Spacer M4x15mm M/F | | | | | | 10 | 13 | 15 |
| 8066720 | Brass Hex Threaded Spacer M4x20mm M/F | | | | | | 10 | 15 | 20 |
| 8066724 | Brass Hex Threaded Spacer M4x25mm M/F | | | | | | 10 | 15 | 25 |
| 8066733 | Brass Hex Threaded Spacer M4x30mm M/F | | | | | | 10 | 15 | 30 |
| 8066736 | Brass Hex Threaded Spacer M4x35mm M/F | | | | | | 10 | 15 | 35 |
| 8066730 | Brass Hex Threaded Spacer M4x40mm M/F | | | | | | 10 | 15 | 40 |
| 8066749 | Brass Hex Threaded Spacer M4x45mm M/F | | | | | | 10 | 15 | 45 |
| 8066742 | Brass Hex Threaded Spacer M4x50mm M/F | | | | | | 10 | 15 | 50 |
| <hr/> | | | | | | | | | |
| 8066632 | Brass Hex. Threaded Spacer M5x10mm | Brass | Nickel | 8 | M5 | 8 | 7 | 8.5 | 10 |
| 8066635 | Brass Hex. Threaded Spacer M5x15mm | | | | | | 10 | 13 | 15 |
| 8066639 | Brass Hex. Threaded Spacer M5x20mm | | | | | | 10 | 15 | 20 |
| 8066648 | Brass Hex. Threaded Spacer M5x25mm | | | | | | 10 | 15 | 25 |
| 8066641 | Brass Hex. Threaded Spacer M5x30mm | | | | | | 10 | 15 | 30 |
| 8066645 | Brass Hex. Threaded Spacer M5x35mm | | | | | | 10 | 15 | 35 |
| 8066654 | Brass Hex. Threaded Spacer M5x40mm | | | | | | 10 | 15 | 40 |
| 8066657 | Brass Hex. Threaded Spacer M5x45mm | | | | | | 10 | 15 | 45 |
| 8066651 | Brass Hex. Threaded Spacer M5x50mm | | | | | | 10 | 15 | 50 |
| 8066660 | Brass Hex. Threaded Spacer M5x60mm | | | | | | 10 | 15 | 60 |

| RS Article | Description | Material | Plating | H | D | P1 | P2 | P3 | L | |
|------------------|---|----------|---------|----|----|----|----|-----|----|----|
| 8066663 | Steel Hex. Threaded Spacer M6x15mm | Steel | Nickel | 10 | M6 | 10 | 10 | 12 | 15 | |
| 8066667 | Steel Hex. Threaded Spacer M6x20mm | | | | | | 10 | 12 | 20 | |
| 8066676 | Steel Hex. Threaded Spacer M6x25mm | | | | | | 10 | 15 | 25 | |
| 8066679 | Steel Hex. Threaded Spacer M6x30mm | | | | | | 10 | 15 | 30 | |
| 8066673 | Steel Hex. Threaded Spacer M6x35mm | | | | | | 10 | 15 | 35 | |
| 8066682 | Steel Hex. Threaded Spacer M6x40mm | | | | | | 10 | 15 | 40 | |
| 8066685 | Steel Hex. Threaded Spacer M6x45mm | | | | | | 10 | 15 | 45 | |
| 8066689 | Steel Hex. Threaded Spacer M6x50mm | | | | | | 10 | 15 | 50 | |
| 8066698 | Steel Hex. Threaded Spacer M6x55mm | | | | | | 10 | 15 | 55 | |
| 8066691 | Steel Hex. Threaded Spacer M6x60mm | | | | | | 10 | 15 | 60 | |
| Separator | | | | | | | | | | |
| 8066607 | Threaded spacer, mild steel,M3x5mm,M/F | Steel | Zinc | 5 | M3 | 8 | 3 | 4.3 | 5 | |
| 8066588 | Threaded spacer, mild steel,M3x10mm,M/F | | | | | | 6 | 8.5 | 10 | |
| 8066572 | Threaded spacer, mild steel,M3x15mm,M/F | | | | | | 8 | 13 | 15 | |
| 8066613 | Threaded spacer, mild steel,M3x20mm,M/F | | | | | | 8 | 15 | 20 | |
| 8066629 | Threaded spacer, mild steel,M3x25mm,M/F | | | | | | 10 | 10 | 15 | 25 |
| 8066617 | Threaded spacer, mild steel,M3x30mm,M/F | | | | | | 10 | 10 | 15 | 30 |
| Separator | | | | | | | | | | |
| 8066578 | Threaded spacer, mild steel,M4x10mm,M/F | Steel | Zinc | 7 | M4 | 8 | 6 | 8.5 | 10 | |
| 8066562 | Threaded spacer, mild steel,M4x15mm,M/F | | | | | | 8 | 13 | 15 | |
| 8066575 | Threaded spacer, mild steel,M4x20mm,M/F | | | | | | 8 | 15 | 20 | |
| 8066604 | Threaded spacer, mild steel,M4x25mm,M/F | | | | | | 10 | 10 | 15 | 25 |
| 8066590 | Threaded spacer, mild steel,M4x30mm,M/F | | | | | | 10 | 10 | 15 | 30 |

| RS Article | Description | Material | Plating | H | D | Hole(A/B) | | L |
|------------------|--|----------|---------|---|----|-----------|----|----|
| 8066695 | Brass Hex Threaded Spacer M4x30mm Female | Brass | Nickel | 7 | M4 | 10 | 10 | 30 |
| 8066705 | Brass Hex Threaded Spacer M4x35mm Female | | | | | 10 | 10 | 35 |
| 8066708 | Brass Hex Threaded Spacer M4x40mm Female | | | | | 10 | 10 | 40 |
| 8066702 | Brass Hex Threaded Spacer M4x45mm Female | | | | | 10 | 10 | 45 |
| 8066711 | Brass Hex Threaded Spacer M4x50mm Female | | | | | 10 | 10 | 50 |
| Separator | | | | | | | | |
| 8066601 | Threaded spacer, mild steel,M3x5mm,F/F | Steel | Zinc | 5 | M3 | 5 | | 5 |
| 8066597 | Threaded spacer, mild steel,M3x10mm,F/F | | | | | 10 | | 10 |
| 8066584 | Threaded spacer, mild steel,M3x15mm,F/F | | | | | 10 | 10 | 15 |
| 8066581 | Threaded spacer, mild steel,M3x20mm,F/F | | | | | 10 | 10 | 20 |
| 8066623 | Threaded spacer, mild steel,M3x25mm,F/F | | | | | 10 | 10 | 25 |
| 8066610 | Threaded spacer, mild steel,M3x30mm,F/F | | | | | 10 | 10 | 30 |
| Separator | | | | | | | | |
| 8066566 | Threaded spacer, mild steel,M4x10mm,F/F | Steel | Zinc | 7 | M4 | 10 | | 10 |
| 8066550 | Threaded spacer, mild steel,M4x15mm,F/F | | | | | 10 | 10 | 15 |
| 8066569 | Threaded spacer, mild steel,M4x20mm,F/F | | | | | 10 | 10 | 20 |
| 8066594 | Threaded spacer, mild steel,M4x25mm,F/F | | | | | 10 | 10 | 25 |
| 8066626 | Threaded spacer, mild steel,M4x30mm,F/F | | | | | 10 | 10 | 30 |