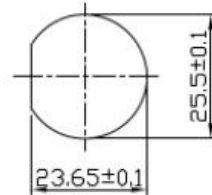
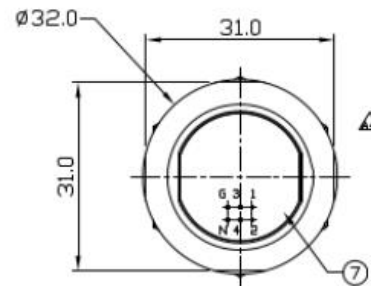
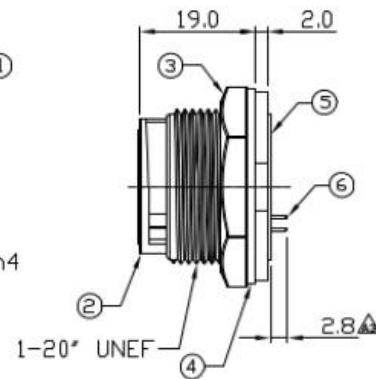
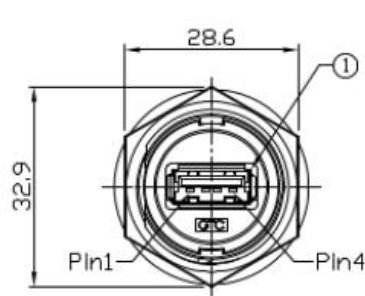




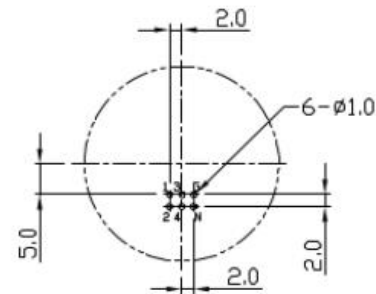
Notes: (Unless Otherwise Specified)

1. Waterproof Rate: IP67.
2. Recommend Panel Thickness: 0.8 to 6.0 mm.
3. Recommend Torque: 19~20 Kgf-cm.
4. Mating Cap P/N: 125-7924
5. RoHS Compliance.

REV	ECN#	DESCRIPTION OF REVISION	DRAW BY DATE	CHECK BY DATE	APPROVE BY DATE
A2	ECN-101013	Marked Δ	David 10/26/10	Roy 10/26/10	Roy 10/26/10
A3	ECN-110609	Marked Δ	Joyce 06/28/11	Lucas 06/28/11	Roy 06/28/11
A4	ECN-140209	Marked Δ	Joyce 02/20/14	Lucas 02/20/14	Roy 02/20/14



Recommend Panel Cut-Out



Recommend PCB Layout

Mating Part:
111-6752

7	Glue	Epoxy Color: Black	
6	Pin Header	Housing: Thermal Plastic, Color: Black Contacts: Copper Alloy, Finish: Au Plated	1
5	PCB	FR-4 Color: Green	1
4	Gasket	Silicone Color: Black	1
3	Hex Nut	Thermal Plastic Color: Black	1
2	Housing	Thermal Plastic Color: Black	1
1	USB-A Receptacle	Housing: Thermal Plastic, Color: Black Contacts: Copper Alloy, Finish: Au Plated Shell: Copper Alloy, Finish: Ni Plated	1
Item	Part Name	Material / Finish	QTY

THIRD ANGLE PROJECTION		SIZE	SCALE	DRAW / DATE	CHECK / DATE	APPROVE / DATE	TOLERANCES	UNIT	SHEET
		B	1:1	Edwin 02/01/10	Roy 02/01/10	Roy 02/01/10	XX ± 0.5 XXX ± 0.2	mm	1/1
							XXXX ± 0.05 ANGLES ± 1°		

RS Stock No
111-6749

TITLE
USB-A Plastic C4 Panel Jack Dip Lock