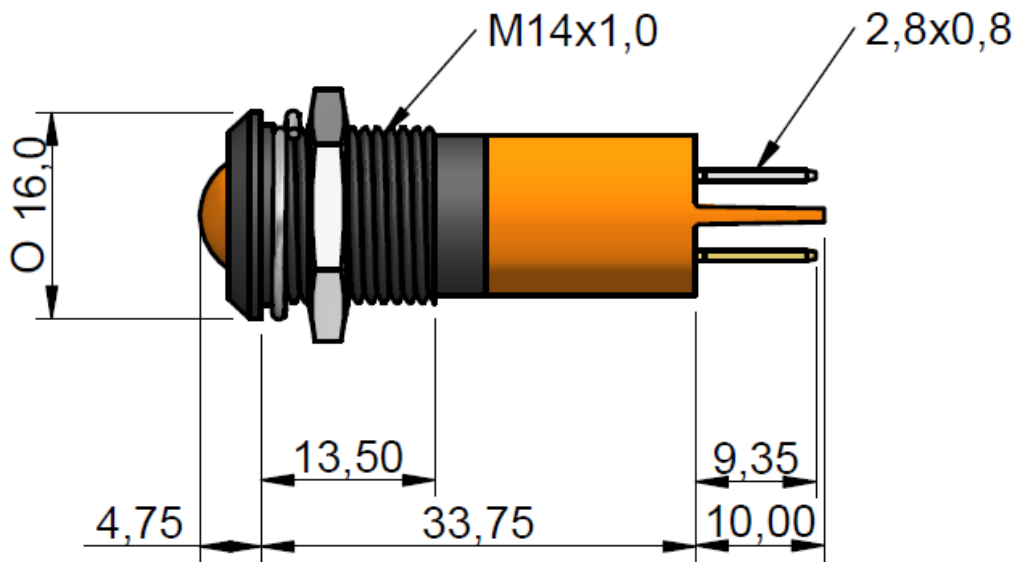


Datasheet

Prominent LED Panel Mount Indicator

RS Stock number 204-388

Dimensions (mm):



Specifications:

LED/Multiled	Neon
Mounting Size	14mm
Mounting Finish	Satin
Protection	IP40
Mount Holder	Prominent
Chip Qty	-
Indicator Colour	Amber
Optimum Voltage (V)	240V ac
Rectifier	-

AC Current	-
DC Current	-
Voltage Tolerance	10%
Optimum Temperature	-40°C ... +85°C
Storage Temperature	-
Contact Tab	2.8 x 0.8mm
Wavelength (nm)	-
Intensity	-
Reverse Voltage	-