

FEATURES

- Commonly used for fitting brackets to channel/strut
- Ideal fixing for drops of threaded rod
- Made from steel with a hot dipped galvanised finish
- Ideal for internal and external applications
- Comes with a short spring

RS PRO Channel Nut

RS Stock No.: 221-6352, 221-6354, 221-6356



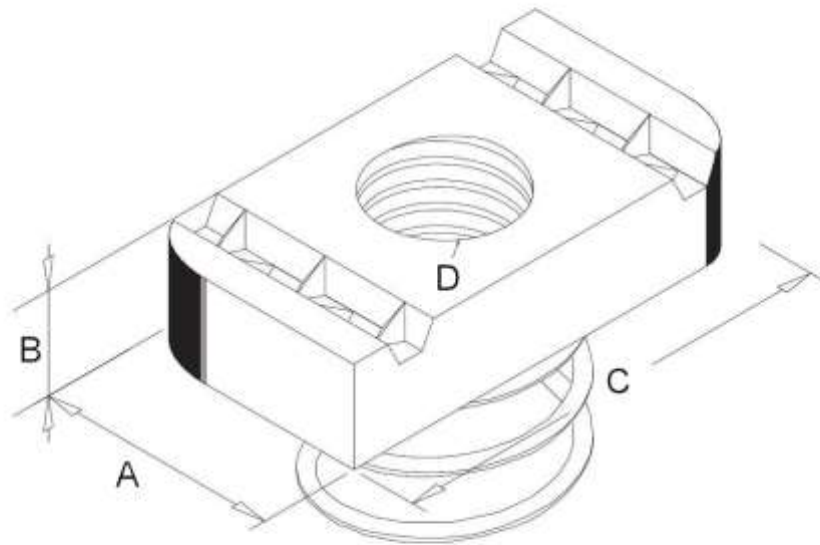
RS Professionally Approved Products bring to you professional quality parts across all product categories. Our product range has been tested by engineers and provides a comparable quality to the leading brands without paying a premium price.

Fasteners & Fixings

Product Description

Channel nuts are commonly used for fitting brackets to channel/strut, and are the ideal fixing for drops of threaded rod. Made from steel, with a hot dipped galvanised finish, they are ideal for internal and external applications. Comes with a short spring. Also known as Zebedee nuts.

General Specifications



RS Stock No	Finish	A (mm)	B (mm)	C (mm)	D (mm)
2216354	Hot dipped galvanised	19	6	35	6
2216356	Hot dipped galvanised	19	6	35	8
2216352	Hot dipped galvanised	19	8	35	10