



## Datasheet

# RS PRO High Current Metal Pushbutton Switches (19mm)

Stock number: **175-8XXX (Details as follows)**

EN



The picture above is for reference only.

### Specifications:

RATING : 26A, 26A 250/125VAC.

CONTACT RESISTANCE : 50 mΩ max. @ 1A 12VDC (initial value)

INSULATION RESISTANCE : 100 MΩ min. at 500VDC

DIELECTRIC STRENGTH : 1,500V RMS @ sea level

OPERATION TEMPERATURE : -25°C to 85°C

MECHANICAL LIFE : Momentary 1,000,000 cycles

Latching 500,000 cycles

ELECTRICAL LIFE : 26A /125&250VAC 10,000 CYCLES

OPERATION PRESSURE : 3.5±1.5N

TRAVEL : About 3.2mm

INGRESS PROTECTION : IP67, IK08(Stainless)

TORQUE: 1~3Nm.

**RS Part no.**

175-8359	MW19-A0F0000-A3ZA
175-8360	MW19-A0F0000-A3TA
175-8361	MW19-A0F0000-A3DA
175-8037	MW19-A0F1000-A3ZA
175-8038	MW19-A0F1000-A3TA
175-8039	MW19-A0F1000-A3DA
175-8082	MW19-A0F0E00-A3ZA
175-8107	MW19-A0F0E00-A3TA
175-8073	MW19-A0F0E00-A3DA
175-8103	MW19-A0F0L00-A3ZA
175-8104	MW19-A0F0L00-A3TA
175-8105	MW19-A0F0L00-A3DA
175-8028	MW19-A0F1E00-A3ZA
175-8029	MW19-A0F1E00-A3TA
175-8030	MW19-A0F1E00-A3DA
175-8060	MW19-A0F1L00-A3ZA
175-8061	MW19-A0F1L00-A3TA
175-8062	MW19-A0F1L00-A3DA
175-8112	MW19-A0F0E124-A3ZA
175-8113	MW19-A0F0E124-A3TA
175-8114	MW19-A0F0E124-A3DA
175-8072	MW19-A0F0L124-A3ZA
175-8022	MW19-A0F0L124-A3TA
175-8059	MW19-A0F0L124-A3DA
175-8069	MW19-A0F1E124-A3ZA
175-8034	MW19-A0F1E124-A3TA
175-8032	MW19-A0F1E124-A3DA
175-8051	MW19-A0F1L124-A3ZA
175-8052	MW19-A0F1L124-A3TA
175-8053	MW19-A0F1L124-A3DA

# Specifications:

## 1. Style :

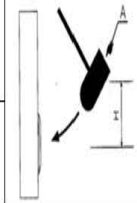
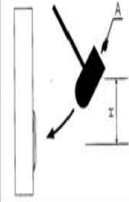
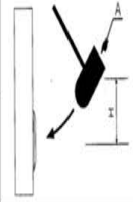
This specification describes “Metal Pushbutton Switch” , mainly used as signal of electric devices, with the general requirements of mechanical and electrical characteristic.

- ①Switch combination : 1NO or 1NC or 1NO 1NC.
- ②Enclosure material : Stainless steel.
- ③Operating Type : Momentary or Maintained.
- ④Operating Temperature Range : -25 °C~+85 °C.
- ⑤Degrees of protection provided by enclosures  
IP code : IP67.  
IK code : IK08 .(for case :stainless steel)

**2. Type of Actuation :** Pushbutton Switch.

## 3. Test Sequence :

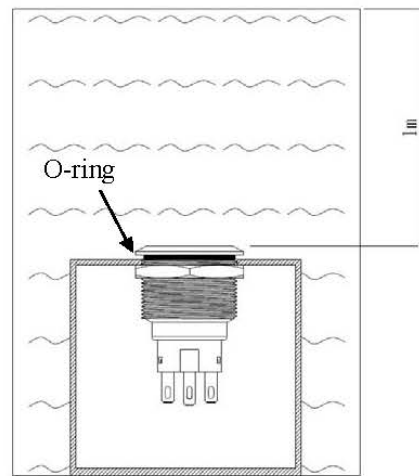
	ITEM	DESCRIPTION	TEST CONDITIONS	REQUIREMENTS
APPEARANCE	1	Visual Examination	By Visual Examination check without and out pressure & testing.	There shall be no defects that affect the serviceability of the product.
ELECTRIC PERFORMANCE	2	Contact Resistance	To be measured between the two terminals associated with each switch pole.	50mΩ Max.
	3	Insulation Resistance	Measurements shall be made following application of 500 VDC / 100mA potential across terminals and cover for 1 minute.	100MΩ min.
	4	Dielectric Withstanding Voltage	⊙ 1500 VAC (50Hz or 60Hz) / between terminals /1minute. ⊙3000 VAC (50Hz or 60Hz) /between terminal and frame/ 1minute.	There shall be no breakdown or flashover.

MECHANICAL PERFORMANCE	ITEM	DESCRIPTION	TEST CONDITIONS	REQUIREMENTS													
	5	Operation pressure	MODEL-1305N MECHANICAL TEST 500gram、1000gram、2000gram.	3.5 ± 1.5N													
	6	Operation Travel	Full Travel.	3.2 ± 0.3mm.													
	7	Torque	Applied to nut.	About 1-3Nm.													
	8	Panel Thickness	Applied to nut.	10mm Max.													
9	IK Code	<table border="1"> <thead> <tr> <th>IK Degree</th> <th>Weight (A)</th> <th>Original Height (H)</th> <th>Impact Energy</th> <th>Impact Diagram</th> </tr> </thead> <tbody> <tr> <td>08</td> <td>1.25 kg</td> <td>40cm</td> <td>5J</td> <td rowspan="2">  </td> </tr> <tr> <td>10</td> <td>5.0kg</td> <td>40cm</td> <td>20J</td> </tr> </tbody> </table>	IK Degree	Weight (A)	Original Height (H)	Impact Energy	Impact Diagram	08	1.25 kg	40cm	5J		10	5.0kg	40cm	20J	After three mechanical impact with corresponding grade energy at the same position of the crust, the switch has no harmful effect.
IK Degree	Weight (A)	Original Height (H)	Impact Energy	Impact Diagram													
08	1.25 kg	40cm	5J														
10	5.0kg	40cm	20J														
OPERATING LIFE	10	Operating Life	Measurements shall be made following the test forth below :  ①26A/125/250VAC. ② Rate of Operation : 6-8operation cycles per minute. ③ Electronics Life Test : 10,000 cycles.	①Dielectric Strength : between terminals : 1000VAC. between terminals of opposite polarity : 1000VAC. ②Insulation Resistance : 50MΩ (at 500VDC)min. ③Contact Resistance : 100mΩ Max.													
			④Mechanical Life Test : Momentary : 1,000,000 cycles. Maintained : 500,000 cycles.														

	ITEM	DESCRIPTION	TEST CONDITIONS	REQUIREMENTS
HUMIDITY RESISTANCE	11	Resistance Low Temperature	Following the test set forth below the sample shall be left in normal temperature and humidity conditions for 1 hour before the measurements are made: ① Temperature : $-25\pm 2^{\circ}\text{C}$ . ② Time : 48 hours.	As shown in item 4. ① Insulation Resistance : $50\text{M}\Omega$ (at 500VDC)min. ② Contact Resistance : $100\text{m}\Omega$ Max.
	12	Resistance High Temperature	Following the test set forth below the sample shall be left in normal temperature and humidity conditions for 1 hour before the measurements are made: ① Temperature : $85\pm 2^{\circ}\text{C}$ . ② Time : 48 hours.	As shown in item 4. ① Insulation Resistance : $50\text{M}\Omega$ (at 500VDC)min. ② Contact Resistance : $100\text{m}\Omega$ Max..
	13	Resistance Humidity	Following the test set forth below the sample shall be left in normal temperature and humidity conditions for 1 hour before the measurements are made: ① Temperature: $40\pm 2^{\circ}\text{C}$ ② Relative Humidity: 90~95% ③ Time: 48 hours.	As shown in item 4. ① Insulation Resistance : $50\text{M}\Omega$ (at 500VDC)min. ② Contact Resistance : $100\text{m}\Omega$ Max..

	ITEM	DESCRIPTION	TEST CONDITIONS	REQUIREMENTS
HUMIDITY RESISTANCE	14	Salt spray Testing	<p>Following the test set forth below the sample shall be left in normal temperature and humidity conditions for an hour before the measurements are made:</p> <p>①Temperature : 35±2°C.            ②The ratio of salt-water : 5%.            ③The spray amount of salt- water : 1~2 ml/h.            ④Time : 24 hours.</p>	No remarkable corrosion shall be recognized in metal part.
RoHS	15	HSF	<p>Refer RoHS Standard :            The electronic electrical machinery product limits with six big chemical materials.</p>	<p>Cd : 100ppm            Pb : 1000ppm            Hg : 1000ppm            Cr6+ : 1000ppm            PBB、PBDE : 1000ppm</p>
SOLDER HEAT RESISTANCE	16	Manual Soldering	<p>■ hand Soldering :            ①Soldering Temperature : 300°C±5°C.            ②Duration of Solder Heated : 3 seconds (Max).</p> <p>■ Precautions in Handling:            ①Please make sure that there is no flux rose over the surface of the PCB.</p>	<p>①Shall be free from pronounced backlash and falling-off or breakage terminals.            ②As shown in item 2~4.</p>
IP Level 1	17	Test of IP 67	<p>Protected against the effects of Temporary immersion in water. (1m below the surface of the water for a duration of 30 min).</p>	<p>IP67 According to EN 60529 : 1991+A1 : 2000            IEC 60529 : 2001</p>

Schematic diagram:



Wiring:

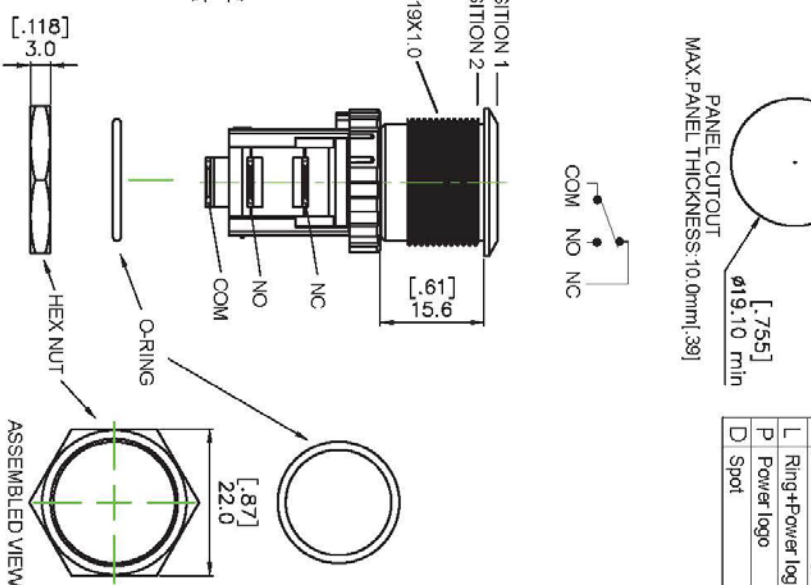
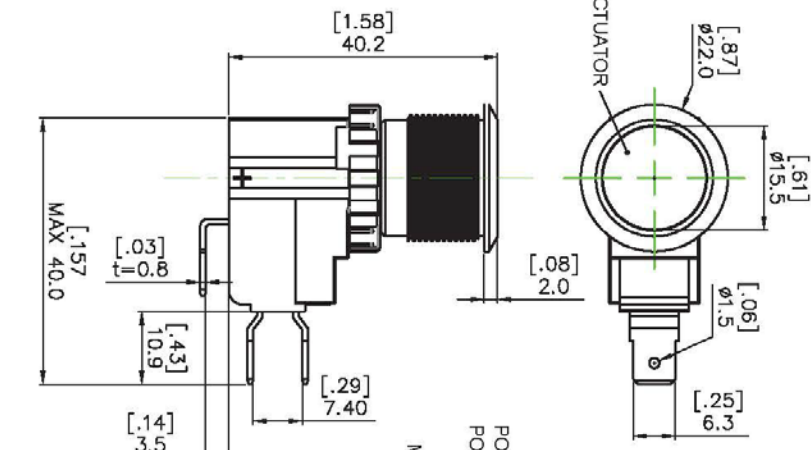
1. Solder the terminals using a 60W soldering iron at 350°C within 3 seconds.  
(Sn-Ag-Cu type solder is recommended.)
2. When soldering, be sure to keep the soldering iron as far away from the housing as possible.
3. Also ensure that no tensile force is applied to the terminal. Do not bend the terminal or apply excessive force to the terminal.

**4. LED Specifications : (LED Without resistor)**

Color	VF(v) Min.	VF(v) TYP.	VF(v) MAX.	IF(MAX)
White	2.8	3.3	3.8	20mA
Red	1.8	2.1	2.5	20mA
yellow	1.8	2.1	2.5	20mA
Blue	2.8	3.2	3.8	20mA
Green	2.8	3.2	3.6	20mA

**MATERIAL:**  
 BUSHING: Stainless Steel.  
 BASE: PB7(UL 94-V0) ; PC(UL94-V2) ; PA6T(UL94-V0)  
 ACTUATOR: PC(UL 94-V2);Stainless Steel.  
 INNER ASSEMBLY: POM/PA66

SPRING: Steel.  
 SEALING: Silicone.  
 O-Ring: Silicone.  
 TERMINAL/CONTACT: Brass, Silver plated.  
 HEX NUT : Nickel plated brass.  
 RoHS



# MW19-XXXXXXXX - XXXX

Body type: A0 Stainless

Button type: F Flat

Operating type: 0 Momentary, 1 LOCK

Light type: 0 Without LED, E Ring Moveable (Flat button only), L Ring+Power logo, P Power logo, D Spot

LED color: 0 Without LED, 1 White, 3 Red, 5 Yellow, 6 Green, 7 Blue, A Red&Green, B Red&Blue

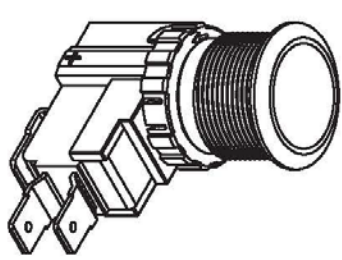
LED voltage: 0 Without Resistor, 3 3V, 6 6V, 12 12V, 24 24V, 36 36V, 110 110V, 220 220V

Micro switch Type: A (C-Logo)

Rating (A): 3 26

Connect forms: Z SPDT, T SPST-NO, D SPST-NC

Terminal types: A #250 Quick-connect terminal(=0.8)



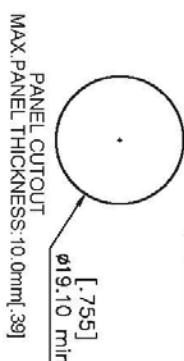
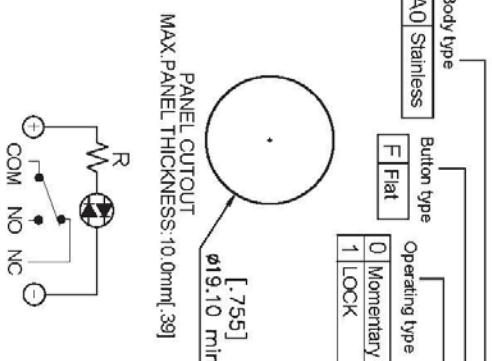
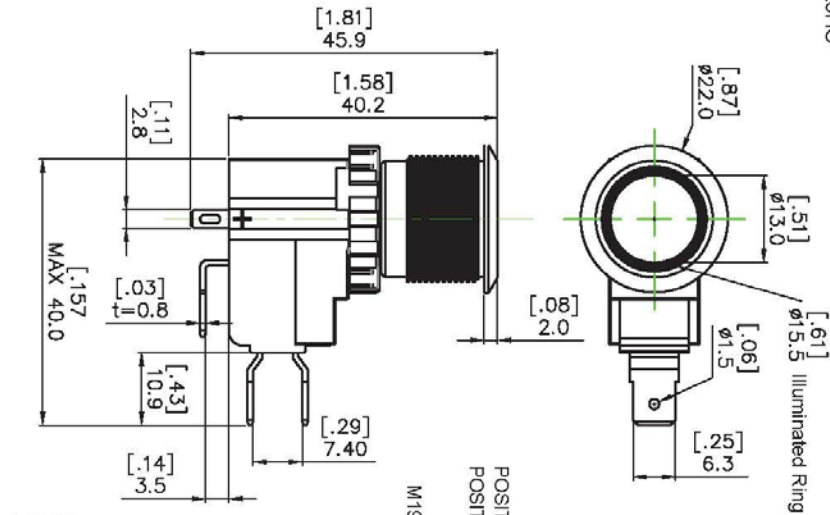
### SPECIFICATIONS

- CONTACT MATERIAL: SILVER
- RATING: 26A 250/125VAC.
- ELECTRICAL LIFE: 26A /125&250VAC 10,000 CYCLES
- MECHANICAL LIFE: Momentary 1,000,000.  
SELF-LOCK 500,000.
- INSULATION RESISTANCE:100M $\Omega$  MIN AT 500VDC.
- DIELECTRIC STRENGTH: 1,500V RMS@sea level.
- CONTACT RESISTANCE: 50m $\Omega$  MAX.@1A 12VDC(initial value).
- OPERATING TEMPERATURE: -25C to 85C
- TRAVEL: ABOUT 3.2mm.
- OPERATION PRESSURE: 3.5 $\pm$ 1.5N
- INGRESS PROTECTION: IP67,IK08.
- TORQUE: 1~3Nm.

**TOLERANCE (公差):**  
 0.00 mm  $\pm$  0.25mm  
 0.0 mm  $\pm$  0.40mm  
 ANGULAR:  $\pm$  2°



**MATERIAL:**  
 BUSHING: Stainless Steel.  
 BASE: PB7(UL 94-V0) ; PC(UL94-V2) ; PA6T(UL94-V0)  
 ACTUATOR: PC(UL 94-V2);Stainless Steel.  
 INNER ASSEMBLY: POM/PA66  
 SPRING: Steel.  
 SEALING: Silicone.  
 O-Ring: Silicone.  
 TERMINAL/CONTACT: Brass, Silver plated.  
 HEX NUT : Nickel plated brass.  
 RoHS



# MW19-XXXXEXXX - XXXXX-XXXX

Special code

Contact Gap: Standard (0.5mm)

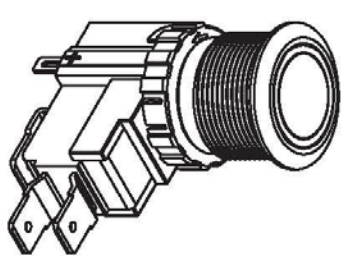
Terminal types: #250 Quick-connect terminal(=0.8)

Connect forms: Z SPDT, T SPST-NO, D SPST-NC

Rating (A): 1/16, 3/26

Micro switch Type: Mini-switch (Standard), A (C-Logo)

LED voltage	LED color	Light type	Operating type	Button type	Body type
0 Without Resistor	0 Without LED	0 Without LED	0 Momentary	F Flat	A0 Stainless
3 3V	1 White	E Ring Moveable (Flat bottom only)	1 LOCK		
6 6V	3 Red	L Ring+Power logo			
12 12V	5 Yellow	P Power logo			
24 24V	6 Green	D Spot			
36 36V	7 Blue				
110 110V	A Red&Green				
220 220V	B Red&Blue				



### SPECIFICATIONS

- CONTACT MATERIAL: SILVER
- RATING: 26A 250/125VAC.
- ELECTRICAL LIFE: 26A /125&250VAC 10,000 CYCLES
- MECHANICAL LIFE: Momentary 1,000,000  
SELF-LOCK 500,000.
- INSULATION RESISTANCE:100MΩ MIN AT 500VDC.
- DIELECTRIC STRENGTH: 1,500V RMS@sea level.
- CONTACT RESISTANCE: 50mΩ MAX @1A 12VDC(initial value).
- OPERATING TEMPERATURE: -25°C to 85°C
- TRAVEL: ABOUT 3.2mm.
- OPERATION PRESSURE: 3.5±1.5N
- INGRESS PROTECTION: IP67,IK08.
- TORQUE: 1~3Nm.

**TOLERANCE (公差):**  
 0.00 mm ± 0.25mm  
 0.0 mm ± 0.40mm  
 ANGULAR: ± 2°