



ENGLISH

Datasheet

RS Pro Steel PCB Drill Bit 0.9mm

RS Stock No: **457-598**



Product Details

RS Pro steel drill bit has a diameter of 0.9 mm. The miniature solid drill bit has a shoulder shank of 2.35 mm diameter for easy handling. This drill bit is suitable for PCB drilling with its twist drill. It provides clean hole on multi layer PCB boards or standard circuit boards.

Features and Benefits

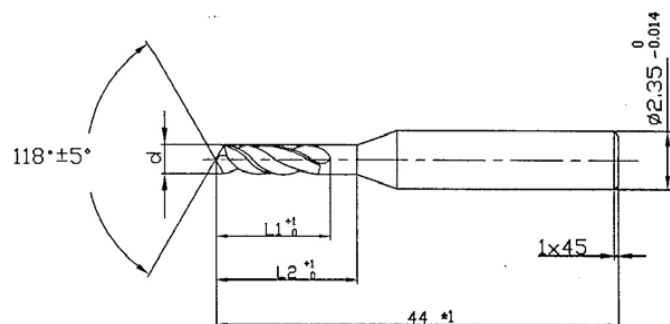
- Steel drill bit
- Ground shank drills
- HSS miniature twist drill bits for use with PCB drills
- Drills have 2.35 mm dia. shank
- Produce clean holes in multi layer PCB boards



ENGLISH

Specifications:

| | |
|----------------|---------|
| Diameter | 0.9 mm |
| Material | Steel |
| Flute Length | 11 mm |
| Overall Length | 44 mm |
| Shank Diameter | 2.35 mm |



| RS STOCK NUMBER | MANUFACTURER PART NO. | Description | Dia.(d) | Tolerance(mm) | Overall Length(mm) | Flute Length(L1)mm |
|-----------------|-----------------------|----------------------|---|---------------|--------------------|--------------------|
| 457588 | HM100-0060 | HSS drill bit 0.6mm | 0.6mm | -0.014 | 44±1 | 7±1 |
| 457651 | HM100-0080 | HSS drill bit 0.8mm | 0.8mm | -0.014 | 44±1 | 11±1 |
| 457598 | HM100-0090 | HSS drill bit 0.9mm | 0.9mm | -0.014 | 44±1 | 11±1 |
| 457617 | HM100-0100 | HSS drill bit 1.0mm | 1.0mm | -0.014 | 44±1 | 11±1 |
| 457611 | HM100-0120 | HSS drill bit 1.2mm | 1.2mm | -0.014 | 44±1 | 11±1 |
| 457601 | HM100-0130 | HSS drill bit 1.3mm | 1.3mm | -0.014 | 44±1 | 11±1 |
| 457605 | HM100-0150 | HSS drill bit 1.5mm | 1.5mm | -0.014 | 44±1 | 11±1 |
| 457627 | HM100-1000 | HSS set 0.5 to 2.2mm | 10pc contains 0.5,0.6,0.8,0.9,1.0,1.3,1.6,1.7,2.0,2.2mm | | | |
| 448607 | HM100-1000 | HSS set 0.5 to 2.2mm | 10pc contains 0.5,0.6,0.8,0.9,1.0,1.3,1.6,1.7,2.0,2.2mm | | | |

Remarks:

- Material: HSS M2
- Shank Dia.: 2.35mm