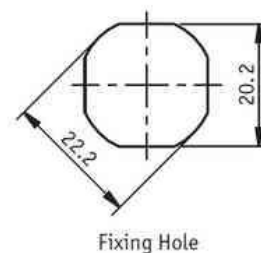
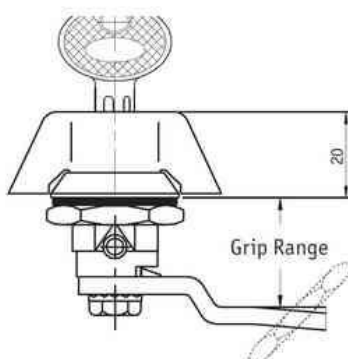


Datasheet

Cylinder Cam Lock with Wing Knob

RS Stock No:146-1797



Specification

Die-cast Zinc alloy over moulded with
Black Polyamide

Supplied with 2 standard Euro Keys (5333)



ENGLISH

| Part Number | Grip Range |
|-------------|------------|
| 146-1794 | 8.5 |
| 146-1797 | 14.5 |
| 146-1795 | 26.5 |
| 146-1798 | 28.5 |

All dimensions in mm