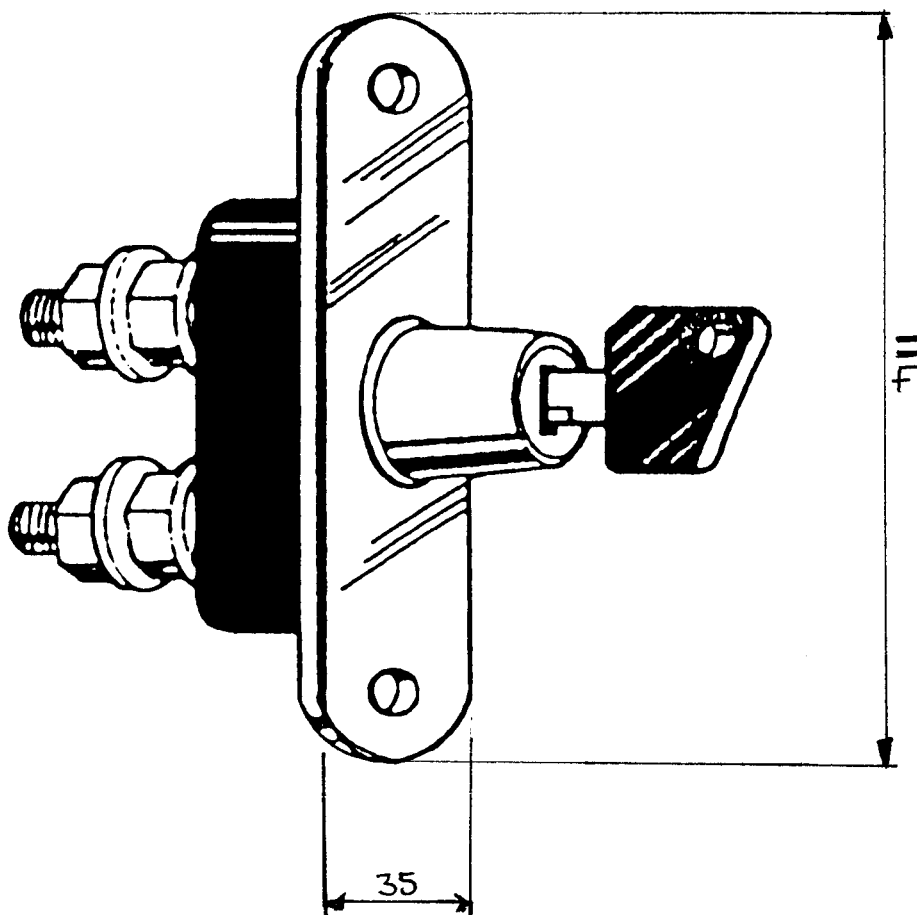


Datasheet

100A Keyed Battery Isolator Switch Details

Nominal Tension	Max 24V
Nominal Current	Max 100 A Continuous
High Load	500A/5 sec
Operating Temperature	40°C to +50°C



Mounting Hole Details

