



Datasheet

RS PRO Safety Limit switch cat whisker, Plastic body, 1NO/1NC Snap action, M20 conduit, IP67

Stock number: **179-7565**

EN

Specifications:

Operating Frequency	Mechanical: 120ops/min Electrical: 30 ops/min
Insulation Resistance	>100MΩ@500V DC
Contact Resistance	<25mΩ(initial value)
Rated Thermal Current	10A
Electrical Rating	AC 15 A600 DC 13 Q300
(UL,cUL Approved)	
Dielectric Strength	1000VAC for 1 min between current carrying parts 2500VAC for 1 min between non-current carrying parts
Service Life	Mechanically 1×10^7 Electrically 5×10^5
Operating Temperature	-25~+80°C (-13~176°F) (with no icing)
Degree of Protection	IP67
Humidity	<95%RH

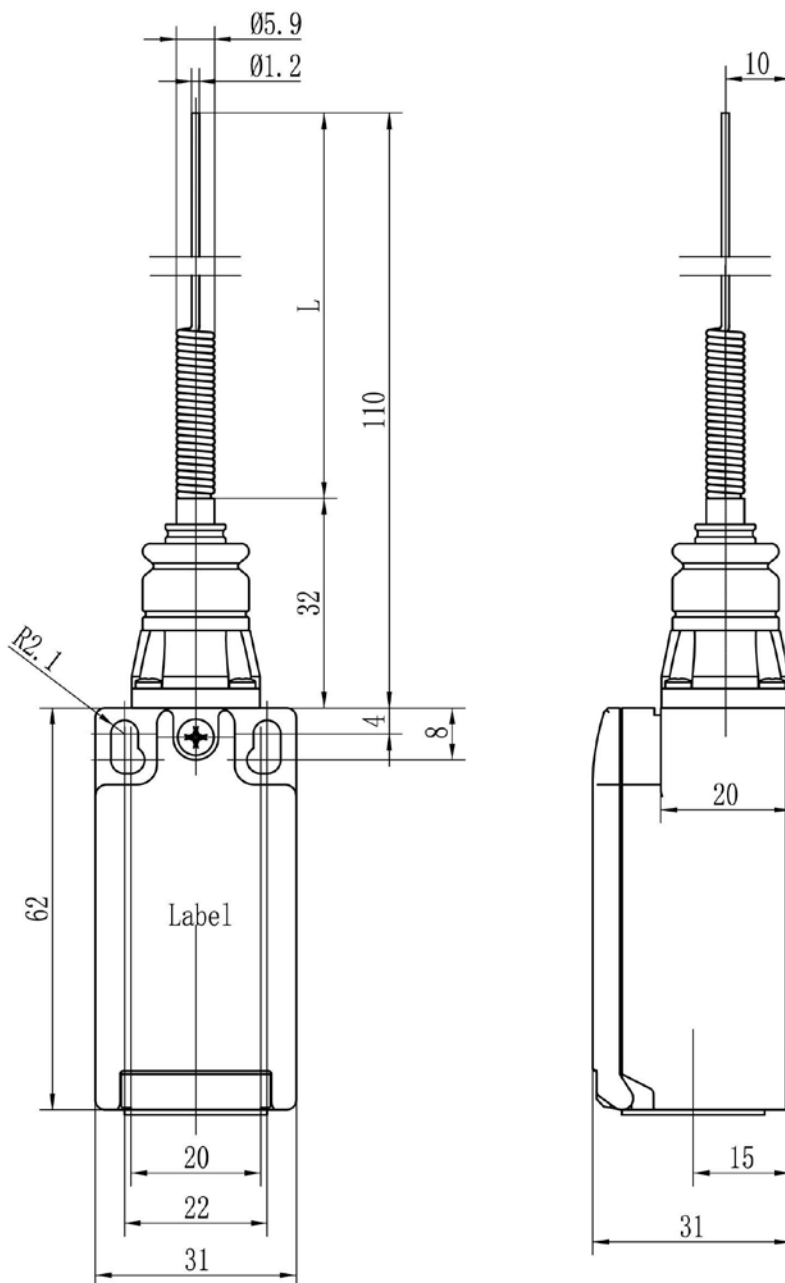
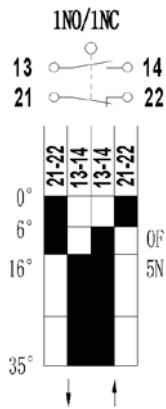


Features:

- Robust glass fiber reinforce plastic body
- UL/CSA/CE Certified
- Threaded hole available: M20*1.5



Circuit Diagram



rspro.com



z

