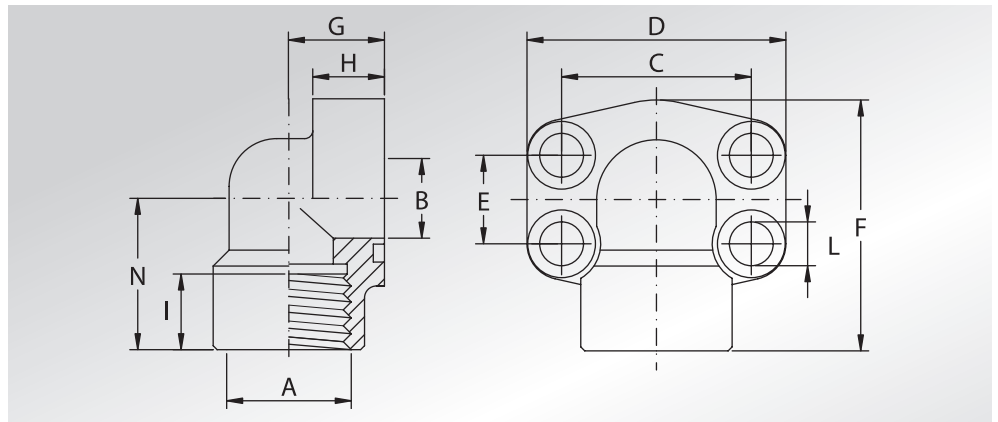




FLANGE A 90° FILETTATE GAS

BSP THREADED 90° FLANGES



| Pressione max di esercizio raccomandata Kg/cm ² | Grandezza | Tipo | Dimensioni | | | | | | | | | | | Viti | | Or tipo | Peso Kg |
|---|-----------|------|------------|---|---|---|---|---|---|---|---|---|---|--------|-----|---------|-----------|
| Maximum recommended working pressure Kg/cm ² | Size | Type | Dimensions | | | | | | | | | | | Screws | | Or type | Weight Kg |
| | | | A | B | C | D | E | F | G | H | I | L | N | Metric | Unc | | |

SERIE 3000

| | | | | | | | | | | | | | | | | | |
|-----|-------|--------------|-----------|----|-------|-----|-------|-----|----|----|----|------|----|--------|-------------|------|------|
| 345 | 1/2" | AFS08090G | 1/2" GAS | 13 | 38,10 | 54 | 17,48 | 60 | 20 | 16 | 19 | 9 | 37 | M8x30 | 5/16"x1"1/4 | 4075 | 0,28 |
| 345 | 1/2" | AFS08090G038 | 3/8" GAS | 13 | 38,10 | 54 | 17,48 | 60 | 20 | 16 | 19 | 9 | 37 | M8x30 | 5/16"x1"1/4 | 4075 | 0,29 |
| 345 | 3/4" | AFS10090G | 3/4" GAS | 19 | 47,63 | 65 | 22,23 | 63 | 24 | 18 | 19 | 11 | 38 | M10x35 | 3/8"x1"1/2 | 4100 | 0,45 |
| 345 | 3/4" | AFS10090G012 | 1/2" GAS | 19 | 47,63 | 65 | 22,23 | 63 | 24 | 18 | 19 | 11 | 38 | M10x35 | 3/8"x1"1/2 | 4100 | 0,48 |
| 345 | 1" | AFS10290G | 1" GAS | 25 | 52,37 | 70 | 26,19 | 70 | 28 | 19 | 20 | 11 | 43 | M10x35 | 3/8"x1"1/2 | 4131 | 0,56 |
| 345 | 1" | AFS10290G034 | 3/4" GAS | 25 | 52,37 | 70 | 26,19 | 70 | 28 | 19 | 19 | 11 | 43 | M10x40 | 3/8"x1"1/2 | 4131 | 0,60 |
| 276 | 1"1/4 | AFS10490G | 1"1/4 GAS | 32 | 58,72 | 79 | 30,18 | 85 | 34 | 21 | 22 | 11,5 | 51 | M10x40 | 7/16"x1"3/4 | 4150 | 0,89 |
| 276 | 1"1/4 | AFS10490G100 | 1" GAS | 32 | 58,72 | 79 | 30,18 | 85 | 34 | 21 | 20 | 11,5 | 51 | M10x40 | 7/16"x1"3/4 | 4150 | 0,92 |
| 207 | 1"1/2 | AFS10690G | 1"1/2 GAS | 38 | 69,85 | 93 | 35,71 | 95 | 38 | 25 | 25 | 13,5 | 56 | M12x45 | 1/2"x1"3/4 | 4187 | 1,18 |
| 207 | 1"1/2 | AFS10690G114 | 1"1/4 GAS | 38 | 69,85 | 93 | 35,71 | 95 | 38 | 25 | 22 | 13,5 | 56 | M12x45 | 1/2"x1"3/4 | 4187 | 1,21 |
| 207 | 2" | AFS10890G | 2" GAS | 51 | 77,77 | 110 | 42,88 | 110 | 42 | 25 | 28 | 13,5 | 65 | M12x45 | 1/2"x1"3/4 | 4225 | 2,06 |
| 207 | 2" | AFS10890G112 | 1"1/2 GAS | 51 | 77,77 | 110 | 42,88 | 110 | 42 | 25 | 25 | 13,5 | 65 | M12x45 | 1/2"x1"3/4 | 4225 | 2,10 |

SERIE 6000

| | | | | | | | | | | | | | | | | | |
|-----|-------|-----------------|-----------|----|-------|-----|-------|-----|----|----|----|------|----|--------|-------------|------|------|
| 414 | 1/2" | AFS40190G012 | 1/2" GAS | 13 | 40,49 | 54 | 18,24 | 60 | 20 | 16 | 19 | 9 | 37 | M8x30 | 5/16"x1"1/4 | 4075 | 0,28 |
| 414 | 1/2" | AFS40190G038 | 3/8" GAS | 13 | 40,49 | 54 | 18,24 | 60 | 20 | 16 | 19 | 9 | 37 | M8x30 | 5/16"x1"1/4 | 4075 | 0,29 |
| 414 | 3/4" | AFS40290G | 3/4" GAS | 19 | 50,80 | 70 | 23,80 | 70 | 28 | 19 | 20 | 11 | 43 | M10x35 | 3/8"x1"1/2 | 4100 | 0,69 |
| 414 | 3/4" | AFS40290G012 | 1/2" GAS | 19 | 50,80 | 70 | 23,80 | 70 | 28 | 19 | 19 | 11 | 43 | M10x35 | 3/8"x1"1/2 | 4100 | 0,72 |
| 414 | 1" | AFS40390G | 1" GAS | 25 | 57,15 | 79 | 27,76 | 85 | 34 | 21 | 22 | 13 | 51 | M12x45 | 7/16"x1"3/4 | 4131 | 1,11 |
| 414 | 1" | AFS40390G034 | 3/4" GAS | 25 | 57,15 | 79 | 27,76 | 85 | 34 | 21 | 20 | 13 | 51 | M12x45 | 7/16"x1"3/4 | 4131 | 1,15 |
| 414 | 1"1/4 | AFS40490G | 1"1/4 GAS | 32 | 66,68 | 93 | 31,75 | 95 | 38 | 25 | 25 | 15 | 56 | M14x45 | - | 4150 | 1,45 |
| 414 | 1"1/4 | AFS40490GL13 | 1"1/4 GAS | 32 | 66,68 | 93 | 31,75 | 95 | 38 | 25 | 25 | 13,5 | 56 | M12x45 | 1/2"x1"3/4 | 4150 | 1,45 |
| 414 | 1"1/4 | AFS40490G100 | 1" GAS | 32 | 66,68 | 93 | 31,75 | 95 | 38 | 25 | 22 | 15 | 56 | M14x45 | - | 4150 | 1,50 |
| 414 | 1"1/4 | AFS40490G100L13 | 1" GAS | 32 | 66,68 | 93 | 31,75 | 95 | 38 | 25 | 22 | 13,5 | 56 | M12x45 | 1/2"x1"3/4 | 4150 | 1,50 |
| 414 | 1"1/2 | AFS40590G | 1"1/2 GAS | 38 | 79,38 | 110 | 36,50 | 110 | 42 | 25 | 28 | 17 | 65 | M16x55 | 5/8"x2"1/4 | 4187 | 2,75 |
| 414 | 1"1/2 | AFS40590G114 | 1"1/4 GAS | 38 | 79,38 | 110 | 36,50 | 110 | 42 | 25 | 25 | 17 | 65 | M16x55 | 5/8"x2"1/4 | 4187 | 2,80 |
| 414 | 2" | AFS40690G | 2" GAS | 51 | 96,82 | 134 | 44,45 | 132 | 45 | 35 | 33 | 21 | 75 | M20x70 | 3/4"x2"3/4 | 4225 | 3,95 |
| 414 | 2" | AFS40690G112 | 1"1/2 GAS | 51 | 96,82 | 134 | 44,45 | 132 | 45 | 35 | 28 | 21 | 75 | M20x70 | 3/4"x2"3/4 | 4225 | 4,40 |

| DESIGNAZIONE PER ORDINE DESIGNATION FOR ORDER | Materiale / Material | |
|--|----------------------|-------------------|
| | S355 | AISI 316L |
| Solo flangia Only flange | AFS...90G | AFX...90G |
| Flangia completa di viti metriche, grower e o-ring Flange complete of metric screws, grower type washers and o-ring | AFS...90GM | AFX...90GM |
| Flangia completa di viti unc, grower e o-ring Flange complete of unc screws, grower type washers and o-ring | AFS...90GU | AFX...90GU |

NOTE / NOTES

set viti unc disponibili solo in acciaio al carbonio
unc screws set available only in carbon steel