

Datasheet

**RS Pro 3 → 16 V dc 102dB sound Panel Mount
Continuous Internal Piezo Buzzer, 2300 → 3300 Hz**
RS Stock No: **754-2015**



Product Details

RS Pro internal piezo buzzer operates at a voltage range of 3 - 16 V dc. This continuous buzzer delivers 102 dB sound at a frequency range of 2300 - 3300 Hz. It is suitable for applications that require high sound output.

Features and Benefits

- Flanged mounting buzzer
- Flying lead connections
- High output levels
- Internal circuitry for dc operation

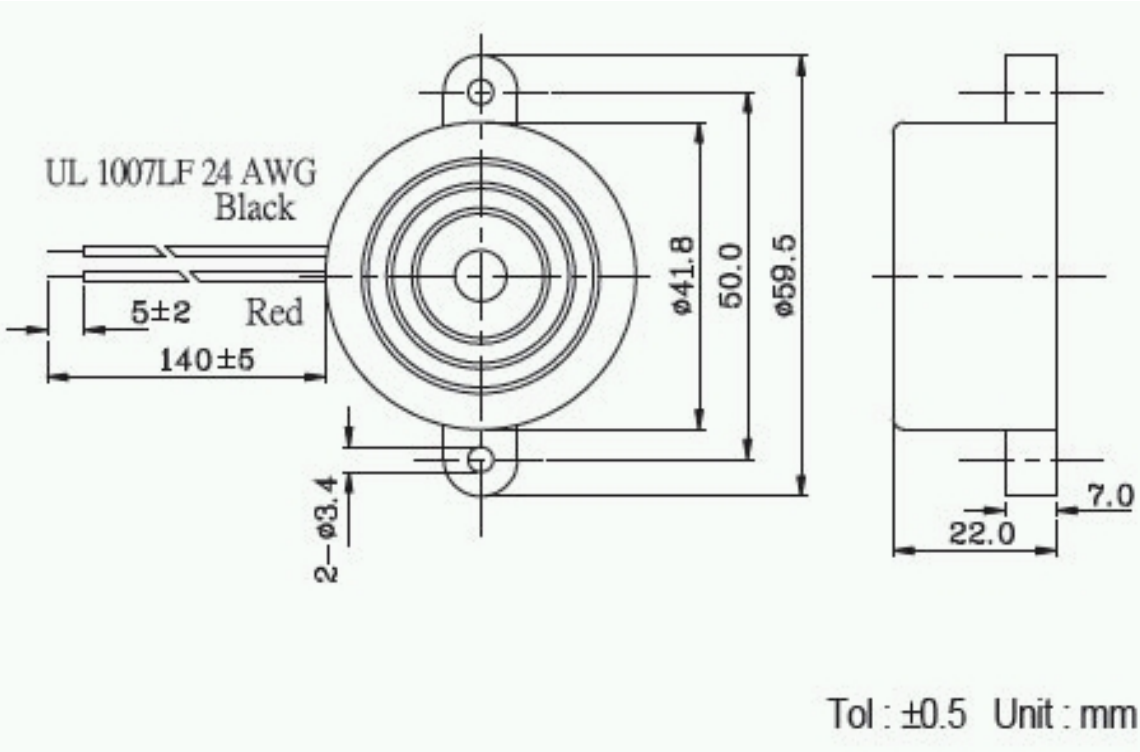


ENGLISH

Specifications:

Drive Type	Internal
Mounting Type	Panel Mount
Tone Type	Continuous
Diameter	41.8 mm
Dimensions	41.8 (dia.) x 59.5 x 22 mm
Height	22 mm
Length	59.5 mm
Maximum Frequency	3300 Hz
Maximum Operating Temperature	+85°C
Maximum Supply Voltage	16 V dc
Minimum Frequency	2300 Hz
Minimum Operating Temperature	-30°C
Minimum Supply Voltage	3 V dc
Sound Level	102 dB
Supply Current	40 mA

Dimension



Characteristic / Schematic Diagram

