

Features

- 15 way D Sub backshell
- Nylon construction
- Cable clamp with screws
- Cable diameter of 4 to 11mm
- Temperature range of -40°C to 95°C

RS PRO Nylon D Sub Backshell, 15 Way, Strain Relief

RS Stock No.: 251-510



RS PRO Professionally Approved Products bring to you professional quality parts across all product categories. Our product range has been tested by engineers and provides a comparable quality to the leading brands without paying a premium price.

Product Description

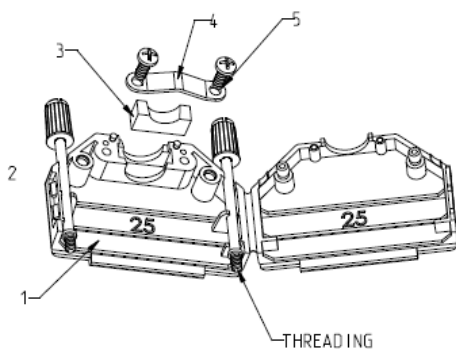
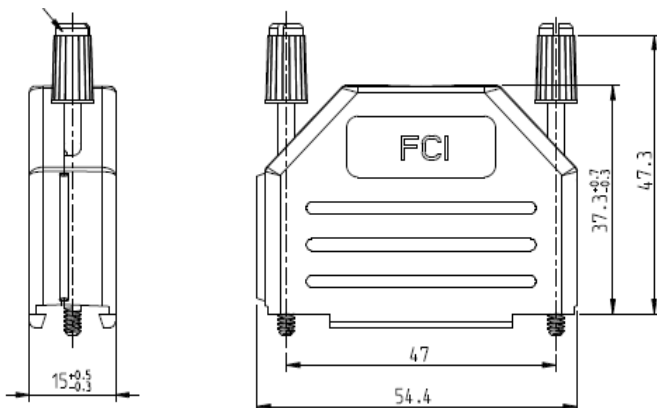
A robust and easy to assemble D Sub hood designed to support up to 15 ways and a cable entry diameter of 4 to 11mm. Ideal for use to reduce strain on your cables through the creation of D Sub connector assemblies.

Constructed from impact resistant Nylon for a hardwearing case that will withstand accidental damage and a flammability rating of UL94V-2 dictating that the shell will not burn for more than 30 seconds in case of fire protecting premises and electrical equipment.

The D sub backshell is complete with a strain relief cable clamp with self tapping screws to protect the wire and guarantee a secure connection wire the cable.

General Specifications

Material	Nylon (UL94V-2)
Cable strain relief	Cable clamp with self- tapping screws
Temperature range	-40°C to 95°C
Cable diameter	4.0 to 11.0mm
Jack screw colour	Black for 4.40 UNC , grey for M3.0
Cable clamp screwing force	70Ncm (max)
Jack screws screwing force	50 Ncm (max)



DESIGNATION	REP
BACKSHELL	1
JACKSCREWS	2
GROMMET	3
CABLECLAMP	4
SCREWS POZIDRIVE	5