

FEATURES

- Moulded switch case with 2 slotted fixing holes
- Robust sealed switch

RS PRO Reed Switch Rectangular 175V, CO, 400mA

RS Stock No.: 811-0748



RS Professionally Approved Products bring to you professional quality parts across all product categories. Our product range has been tested by engineers and provides a comparable quality to the leading brands without paying a premium price.

Product Description

RS PRO range of rectangular magnetic proximity reed switches which provide a simple and cost-effective solution to position or limit sensing applications. Reed switches are often employed to carry out such functions as linear actuator switches, security system switches and door switches.

Options include:

811-0748 - Proximity Switch - Reed based changeover contacts

811-0736 - Proximity Switch - Normally Open Contacts

811-0745 - Rectangular Encapsulated Magnet

General Specifications

Switch Shape	Rectangular
Normal State Configuration	CO
Style	Change over
Applications	Position sensing, Linear actuators, Security switching, Safety guards/devices

Electrical Specifications

Switching Distance	8.0mm min
Terminal Type	Wire Lead
Cable	3 x 20 awg, blue, red and white

Contact Data	Conditions at 20°C	Min.	Typ.	Max.
Maximum Current				400mA
Maximum AC Voltage	AC			175V
Maximum DC Voltage	DC			175V
Contact Resistance	Measured with 40% overdrive			120mOhm
Breakdown Voltage		200V		

Mechanical Specifications

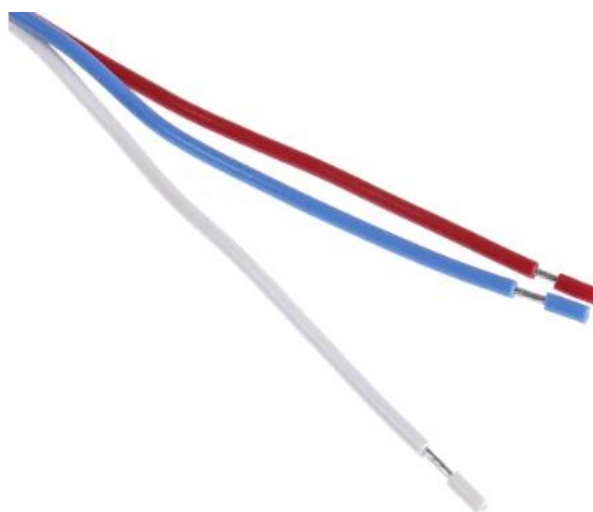
Dimensions	28.5mm x 19mm x 6.8mm
Length	28.5mm
Depth	6.8mm
Width	19mm
Total Length	328.5mm

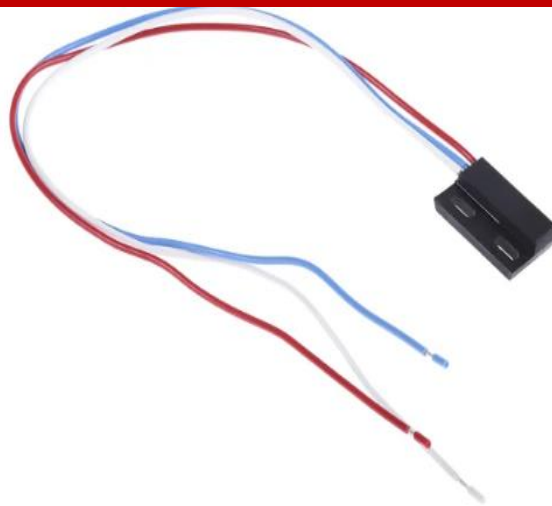
Operation Environment Specifications

Maximum Operating Temperature	-40°C
Minimum Operating Temperature	105°C

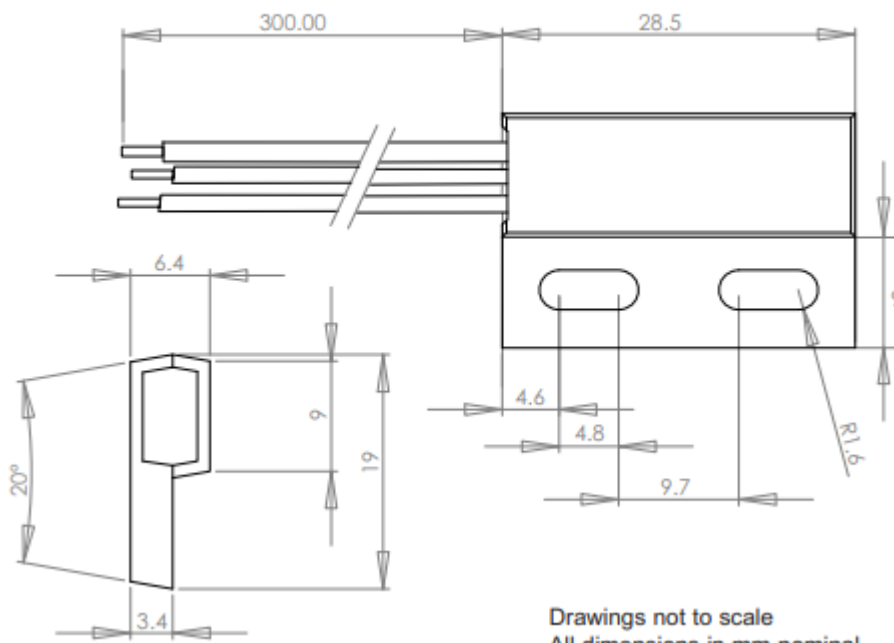
Approvals

Compliance/Certifications	RoHS
---------------------------	------





DIMENSIONS



Drawings not to scale
All dimensions in mm nominal