



ENGLISH

RS PRO

MULTIMEDIA SPEAKER

Stock No: 2318272



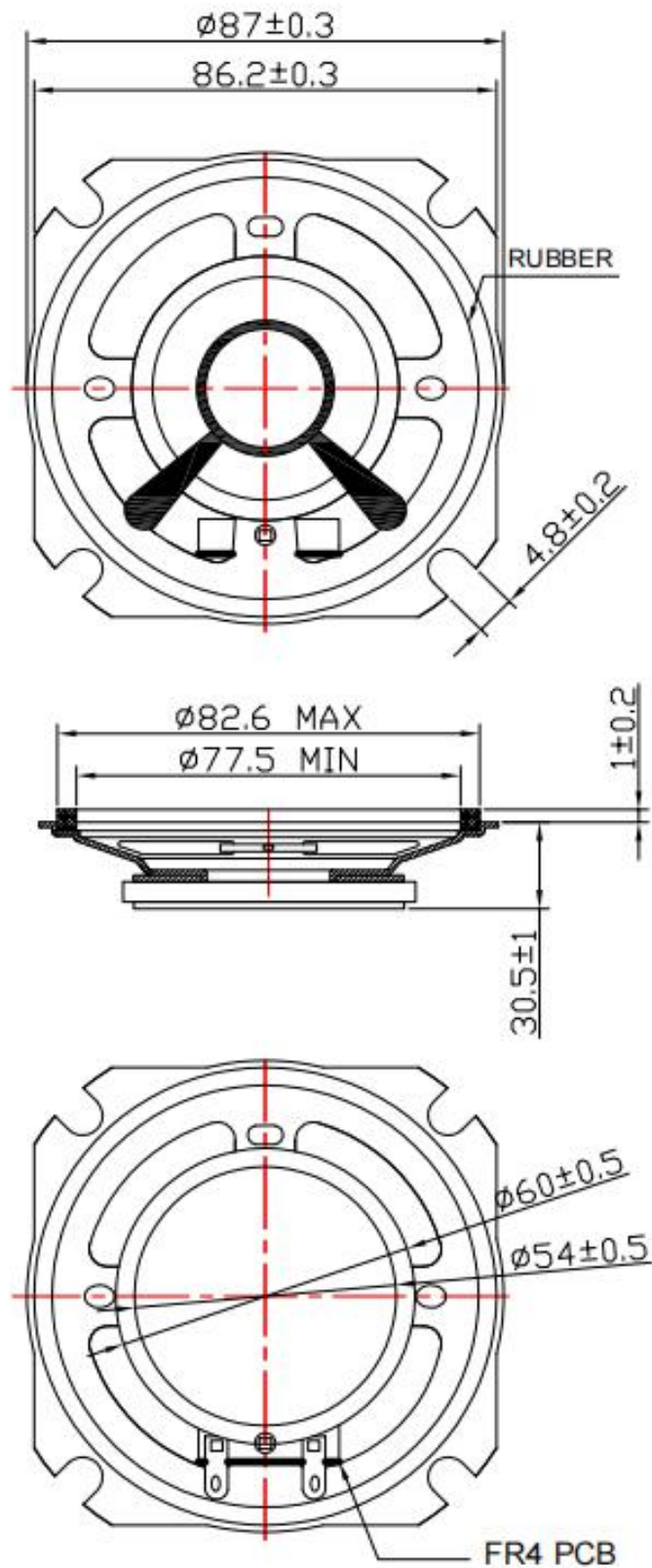
1. Technical Specifications:

Item	Specifications
Size	Ø86*30.5mm
Impedance at 1KHz	8±1.2Ω
Resonance frequency	450Hz±20%
Operating frequency range	fo...10K Hz
Rated input power	6W
Maximum input power	12W
Buzz & Rattle(at sine wave6.9V)	must be normal (at 800Hz--1kHz)
SPL(1W,1.0M) at 1.0K Hz	87± 3dB
Membrane	PEN
Operating temperature	-30°C ... +85°C
Storage temperature	-35°C ...+85°C

2. Features & Benefits:

- Large power
- Loud sound output
- RoHS

3. Dimensional line drawings

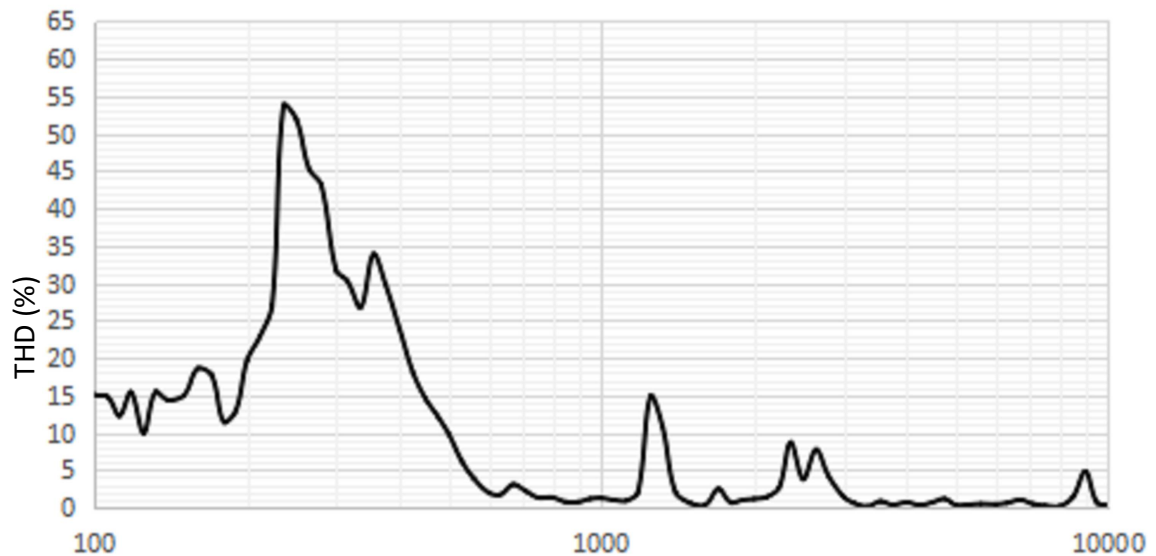


4.1 Frequency Response Curve (only for reference)

A: Frequency Response Magn 0 dB re 20.00 μ Pa/V 1/12Oct



4.2 Total Harmonic Distortion Curve (only for reference)



4.3 F0 Curve (only for reference)

A: Frequency Response Magn 0 dB re 20.00 μ Pa/V 1/12Oct



4.4 R&B Curve (only for reference)

A: Frequency Response Magn 0 dB re 20.00 μ Pa/V 1/12Oct

