

Datasheet

RS PRO 250 TYPE NON-INSULATED FEMALE DISCONNECTORS (LOOSE TYPE)

Stock number: 2055300

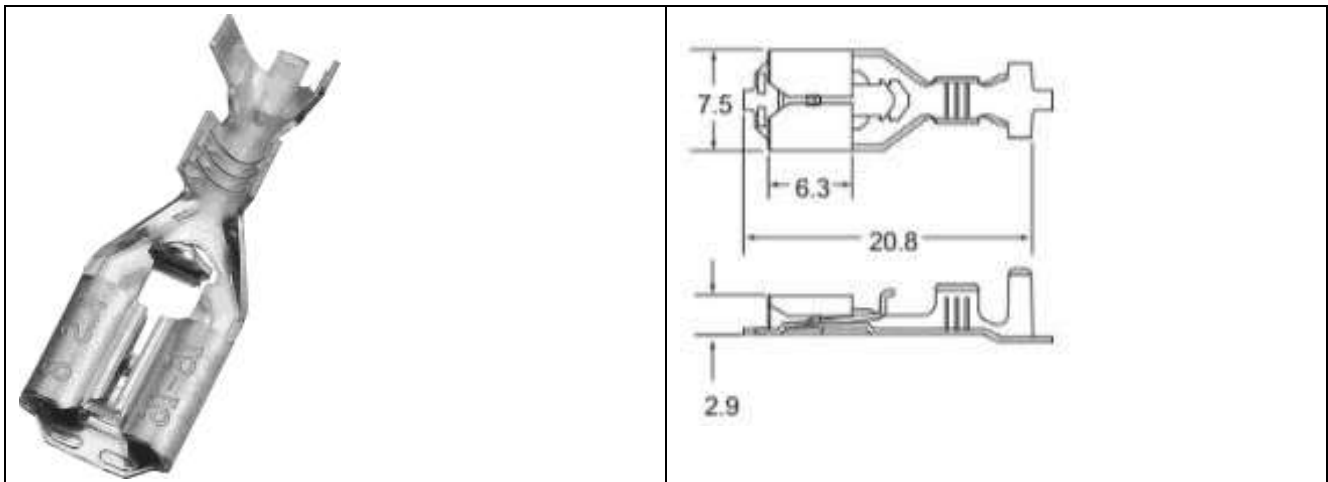
MAXIMUM ELECTRIC CURRENT:

| | | | |
|--------|----|----|----|
| A.W.G. | 18 | 16 | 14 |
| AMP. | 15 | 18 | 25 |

TERMINAL MATERIAL: BRASS

TERMINAL SURFACE TREATMENT: PRE-TIN PLATED

THICKNESS: 0.40MM



| WIRE RANGE A.W.G. mm ² | NEMA TAB (6.35 x 0.8) | DIMENSION (mm) | | | | | MATERIAL | PLATINGS |
|---|------------------------------|----------------|-----|------|-----|-----|----------|----------|
| | | W | F | L | H | T | | |
| 18-14 A.W.G. 0.8-2.0 mm ² | .250 x .032 (6.35 x 0.8) | 7.5 | 6.3 | 20.8 | 2.9 | 0.4 | BRASS | PRE-TIN |