

FEATURES

- Termination Method: Solder
- Voltage Rating:50V
- Current Rating:10A
- Contact Plating:Silver Plated
- Length:43.8mm
- Contact Material:Brass
- Type:Banana Plug
- Insulation Material:Acetal

RS PRO Banana Plugs & Connectors – 4mm Banana Plug Black - Solder

RS Stock No.: 2121218,1806641



RS Professionally Approved Products bring to you professional quality parts across all product categories. Our product range has been tested by engineers and provides a comparable quality to the leading brands without paying a premium price.

Product Description

550-0100 4mm Standard Banana Plug - Black

A standard 4mm plug, with a rigid screw on acetal body which comes in a range of colours for easy identification.

This range of product caters for broad range of test instrumentation and speaker applications. The plug pin comes with a solder bucket for secure cable fixing.

General Specifications

Type	Standard Banana Plug
Colour	Black
Gender	Male
Contact Material	Brass
Contact Plating	Silver Plated

Electrical Specifications

Voltage Rating	50V
Current Rating	10A
Termination Method	Solder
Insulation Material	Acetal

Mechanical Specifications

Length	43.8mm
--------	--------

Operation Environment Specifications

Operating Temperature	-20 C to +110 C
-----------------------	-----------------

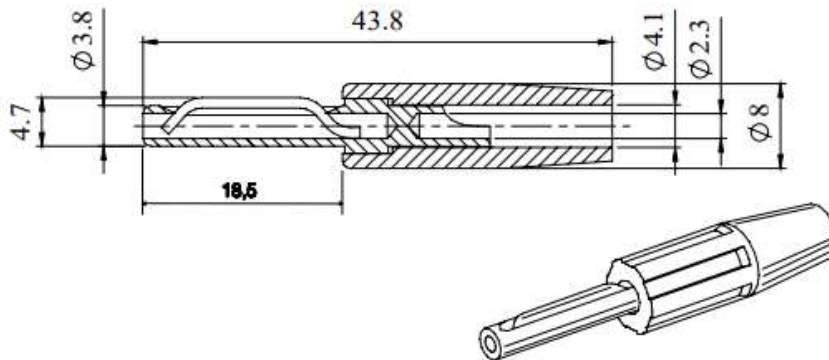
Approvals

Declarations	RoHS Certificate of Compliance
--------------	--------------------------------

Similar Products

Parameters	1806641	1806642	1806643	1806644
Brand	RS PRO	RS PRO	RS PRO	RS PRO
Type	Standard Banana Plug	Standard Banana Plug	Panel Mounting Socket	Panel Mounting Socket
Colour	Black	Red	Black	Red
Gender	Male	Male	Female	Female
Voltage Rating	50V	50V	50V	50V
Current Rating	10A	10A	10A	10A
Termination Method	Solder	Solder	Solder	Solder
Insulation Material	Acetal-LG	Acetal-LG	Polypropylene	Polypropylene
Length	43.8mm	43.8mm	28.5mm	28.5mm
Maximum Panel Thickness			13.5mm MAX	13.5mm MAX

Dimensions



550 PART INFORMATION		
MATERIAL		
HOUSING	ACETAL	VARIOUS COLOURS
PLUG BODY	BRASS	SILVER PLATED
SPRING	STAINLESS STEEL, SPRING STEEL	SELF COLOUR
ELECTRICAL		
AMPS	10A	
NOMINAL WORKING VOLTAGE	50V	
CONTACT RESISTANCE	10m Ω	
TEMPERATURE RANGE	-20°C to +110°C	
RECOMMENDED TEMPERATURE	10A at 55°C	
VOLTAGE BREAKDOWN	5000V	
RECOMMENDED CONDUCTOR SIZE	1.5mm ²	