

FEATURES

- Limited pressure drop
- Easy to handle
- Function repeatability
- Silicon free

RS PRO Orienting Flow Regulator For Cylinder (Parallel)

RS Stock No.: 2312682



RS PROfessionally Approved Products bring to you professional quality parts across all product categories. Our product range has been tested by engineers and provides a comparable quality to the leading brands without paying a premium price.

Product Description

The RS PRO orienting flow regulator for cylinder (parallel) mainly used in pneumatic automation, automotive process and food & beverage applications. RoHS and REACH compliant. It has operating temperature range is from - 20 °C to + 80 °C.

General Specifications

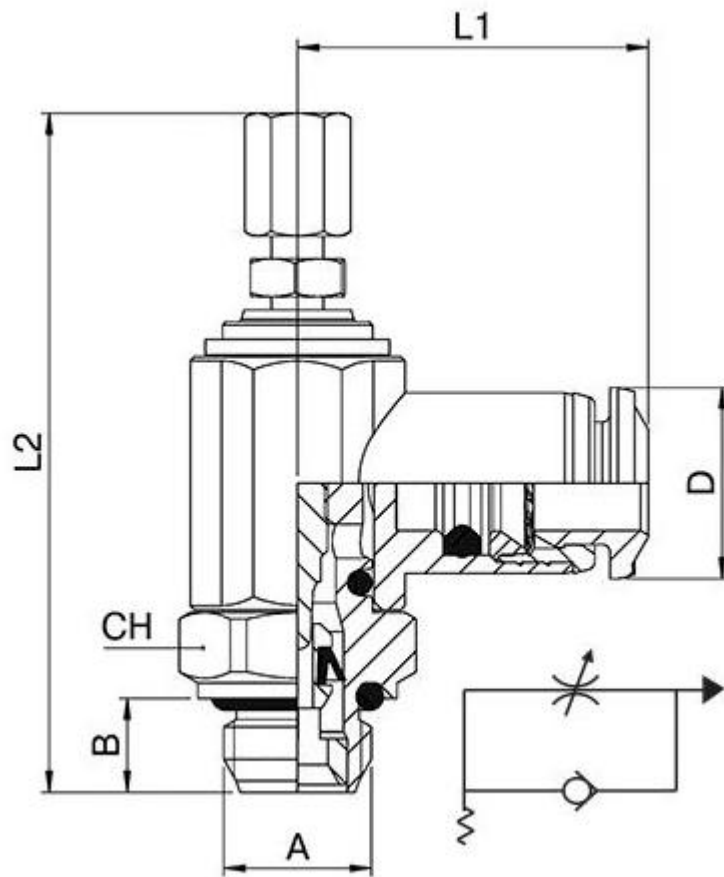
Type	Threaded, Tube
Application	Pneumatic automation, Automotive process, Food & Beverage

Mechanical Specifications

Length 1	30.5mm
Length 2	48.5mm
Wrench Size	17mm

Inlet Port	
Inlet Port Type	1/4 in Male
Threaded Inlet Thread Gender	Male

Outlet Port	
Tube Outlet Port	Pneumatic Straight Threaded-to-Tube Adapter
Threaded Outlet Port	10



Tube	A	B	L1	L2	CH	D	Pack.
10	1/4	7	30.5	48.5	17	17	10