

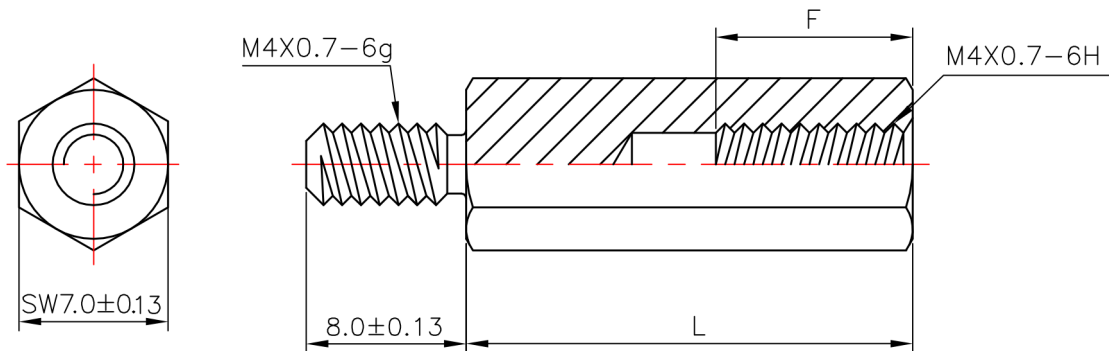
Hex Male-Female M4 Standoff **multicomp**PRO

RoHS
Compliant



Specifications

Material : Carbon Steel.
Heat Treatment : None.
Finish : Nickel Plated.



Part Number Table

Dimensions : Millimetres

Description	L	F	Part Number
Hex Male-Female M4 Standoff, Steel, 10mm	10 ±0.13	6Min	MP008168
Hex Male-Female M4 Standoff, Steel, 12mm	12 ±0.13	8Min	MP008169
Hex Male-Female M4 Standoff, Steel, 15mm	15 ±0.13	9Min	MP008170
Hex Male-Female M4 Standoff, Steel, 20mm	20 ±0.13		MP008171
Hex Male-Female M4 Standoff, Steel, 25mm	25 ±0.13		MP008172
Hex Male-Female M4 Standoff, Steel, 30mm	30 ±0.13		MP008173
Hex Male-Female M4 Standoff, Steel, 35mm	35 ±0.13		MP008174
Hex Male-Female M4 Standoff, Steel, 40mm	40 ±0.13		MP008175
Hex Male-Female M4 Standoff, Steel, 50mm	50 ±0.13		MP008176
Hex Male-Female M4 Standoff, Steel, 60mm	60 ±0.13		MP008177

Important Notice : This data sheet and its contents (the "Information") belong to the members of the AVNET group of companies (the "Group") or are licensed to it. No licence is granted for the use of it other than for information purposes in connection with the products to which it relates. No licence of any intellectual property rights is granted. The Information is subject to change without notice and replaces all data sheets previously supplied. The Information supplied is believed to be accurate but the Group assumes no responsibility for its accuracy or completeness, any error in or omission from it or for any use made of it. Users of this data sheet should check for themselves the Information and the suitability of the products for their purpose and not make any assumptions based on information included or omitted. Liability for loss or damage resulting from any reliance on the Information or use of it (including liability resulting from negligence or where the Group was aware of the possibility of such loss or damage arising) is excluded. This will not operate to limit or restrict the Group's liability for death or personal injury resulting from its negligence. Multicomp Pro is the registered trademark of Premier Farnell Limited 2019.

Newark.com/multicomp-pro
Farnell.com/multicomp-pro
Element14.com/multicomp-pro

multicompPRO