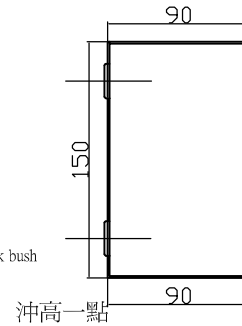
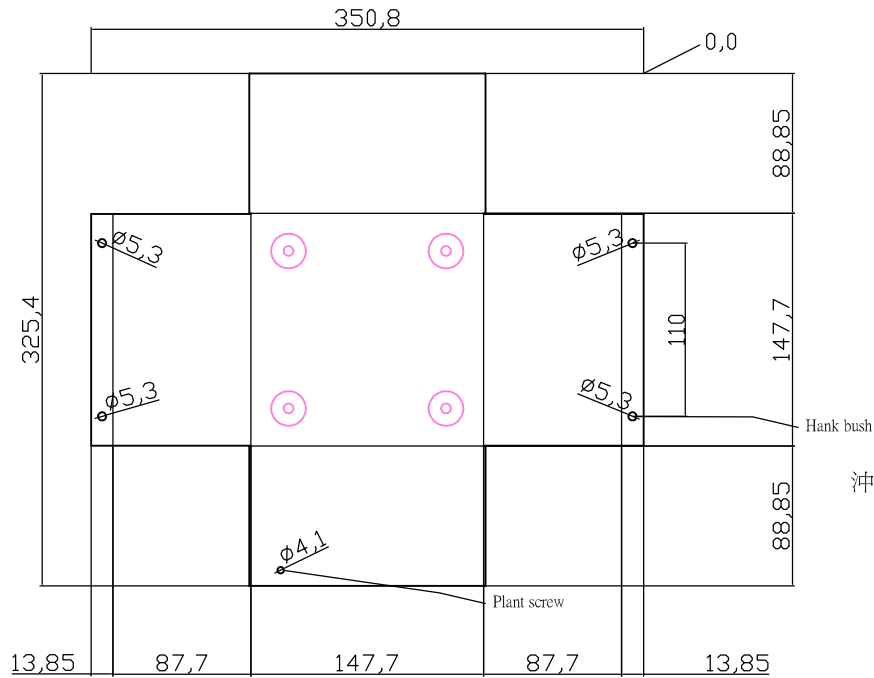
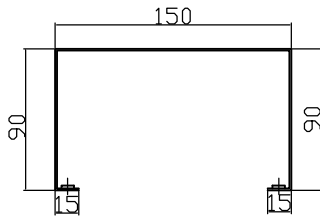


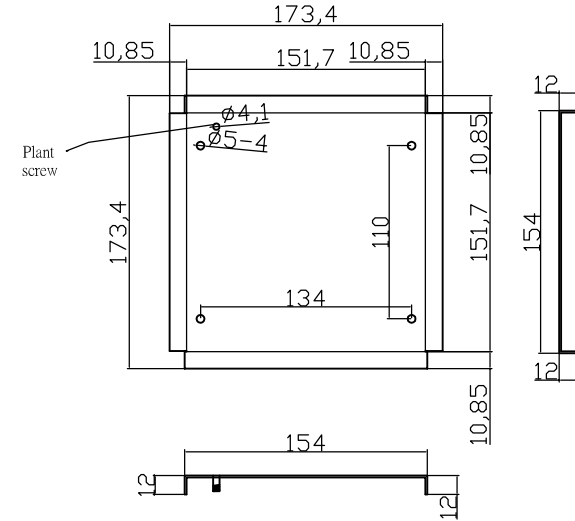
C1.2*350.8*325.4*1PCS



T=1.2mm



C1.2*173.4*173.4*1PCS



Accessory / 配件	MATERIAL / 材質	Quantity / 數量	Type / 型式
Plant SCREWS	Free Cutting Steel-Sulfur	2	M4x10mm
Nut	Free Cutting Steel-Sulfur	2	M4
nut spacer	Free Cutting Steel-Sulfur	2	M4
screws	Free Cutting Steel-Sulfur	4	M4x12.7mm
Hank bush	Free Cutting Steel-Sulfur	4	M4



DIM./單位
mm

IE.NO./客戶型號

MATERIAL/材質
SHEET STEEL

DWN./繪圖
周育傑

CHK./審查

APPN./核准

DATE./日期
2006/11/02

DATE./日期

DATE./日期

ITEM/產品名稱
232052

DWG. NO./圖號
IG5405