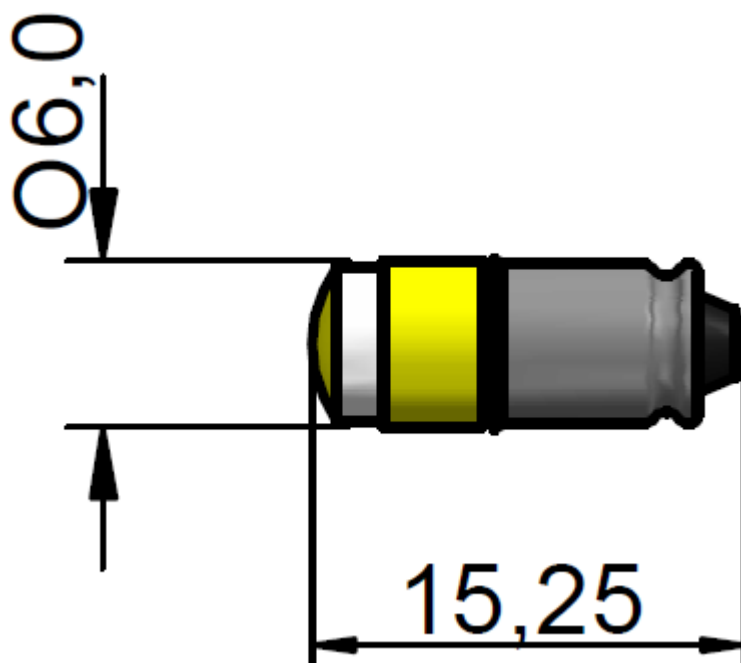


Datasheet

LED Indicator Lamp

RS Stock number 203-622

Dimensions (mm):



LED/Multiled	<i>LED</i>	Optimum voltage (V)	<i>24Vac/dc</i>	Intensity	<i>630mcd</i>
Mounting Size	<i>TI 3/4</i>	Rectifier	<i>Half Wave</i>		
Mounting Finish	-	AC current	<i>7mA</i>		
Protection	-	DC current	<i>15mA</i>		
Mount Holder	<i>Midget Groove</i>	Voltage Tolerance (%)	<i>10%</i>		
Chip Qty	<i>1</i>	Optimum temperature (°C)	<i>-30°C...+60°C</i>		
Indicator colour	<i>Yellow</i>	Storage temperature (°C)	<i>-30°C...+60°C</i>		
Wavelength (nm)	<i>587</i>	Contact Tab	<i>Midget Groove</i>		