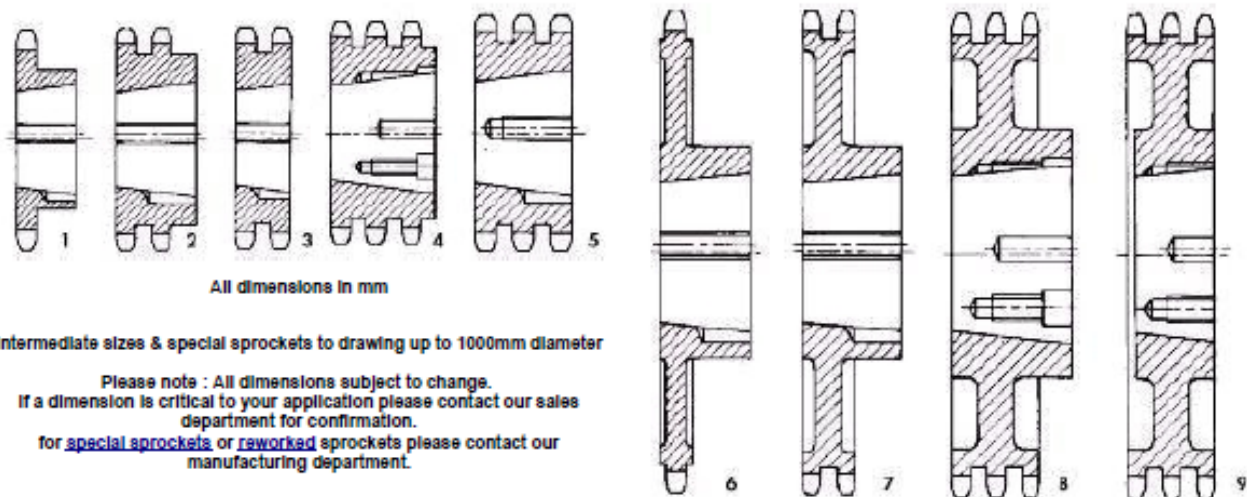


Datasheet

Taper Bore Sprockets 3/8" x 7/32"

British Standard for roller chains compliant with DIN 8187 ISO/R 606
Steel C45, UNI7845 - *Cast Iron G20, UNI5007



SIMPLEX					
Code	No. Teeth	Bush Size	Type	Hub Diam.	Overall Height
031-17	17	1008	1	44.5	22
031-18	18	1008	1	43	22
031-19	19	1008	1	46	22
031-20	20	1008	1	46	22
031-21	21	1008	1	46	22
031-22	22	1108	1	50	22
031-23	23	1210	1	62	25
031-24	24	1210	1	62	25
031-25	25	1210	1	63	25
031-26	26	1210	1	60	25
031-27	27	1210	1	60	25
031-28	28	1210	1	60	25
031-30	30	1210	1	63	25
031-38	38	1210	1	73	25
031-45	45	1210	1	73	25
031-57	57	1210	1	83	25
031-57*	57	1210	6	83	25
031-76*	76	1210	6	83	25
031-95*	95	1210	6	83	25
031-114*	114	1215	6	83	38

DUPLEX					
Code	No. Teeth	Bush Size	Type	Hub Diam.	Overall Height
032-17	17	1008	2	42.5	22
032-18	18	1008	2	43	22
032-19	19	1008	2	46	22
032-20	20	1008	2	48	22
032-21	21	1008	2	49	22
032-22	22	1108	2	52	22
032-23	23	1210	2	58	25
032-24	24	1210	2	61	25
032-25	25	1210	2	64	25
032-26	26	1210	2	65	25
032-27	27	1210	2	65	25
032-28	28	1210	2	65	25
032-30	30	1210	2	65	25
032-38	38	1610	2	76	25
032-45	45	1610	2	89	25
032-57*	57	1610	7	89	25
032-76	76	1610	2	89	25
032-76*	76	1610	7	89	25
032-95*	95	1610	7	89	25
032-114*	114	1615	7	89	38

Stock sizes
Available on short delivery