

## Features

- ROHS compliant
- Housing material: Nylon #66 UL 94V-2
- Rocker material: PC UL 94HB
- Terminal material: Copper alloy SN or AG plated
- Contact material: AgNi (15) Alloy
- Lamp - Tungsten

## RS PRO Round Rocker Switch, Green Illuminated, 12VDC

RS Stock No.: 273-312



RS PRO Professionally Approved Products bring to you professional quality parts across all product categories. Our product range has been tested by engineers and provides a comparable quality to the leading brands without paying a premium price.

## Product Description

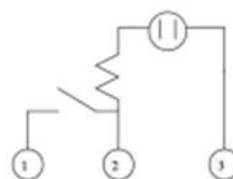
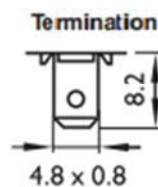
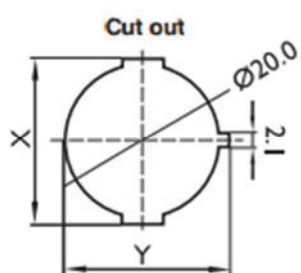
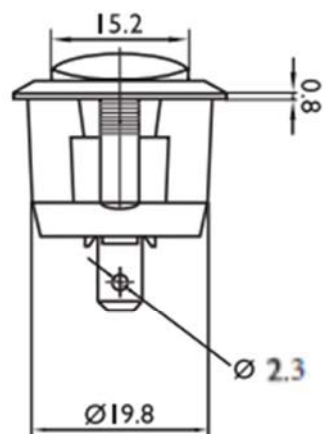
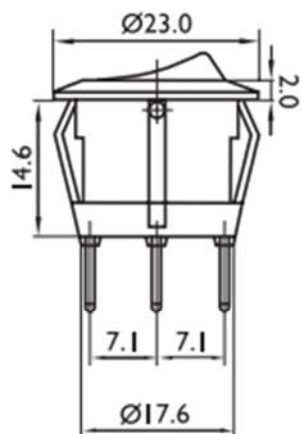
The RS PRO Round Rocker Switch is a robust and reliable illuminated non-latching rocker switch with a Single Pole Single Throw (SPST) configuration designed for an On-Off action. Constructed with an impact and flame retardant Nylon 66 case featuring a tough Polycarbonate button for a rocker switch fit for industrial and commercial environments.

## General Specifications

Rating	12VDC 10A
Colour	Black body/Green Illuminated
Switch Action	SP ON-off
Maximum Contact Resistance	30M $\Omega$
Minimum Insulation Resistance	500VDC 100M $\Omega$
Electrical Life	10,000 cycles
Lamp Life	Approx. 2,000 hours
Operation Force	300 - 600gf
Operating Temperature	-25°C ~ 125°C

## Approvals

Standards Met	VDE, UL
---------------	---------



Z	Y	X
0.75-1.25	20.8	20.2
1.25-2.0	20.8	20.4
2.0-3.0	20.8	20.6