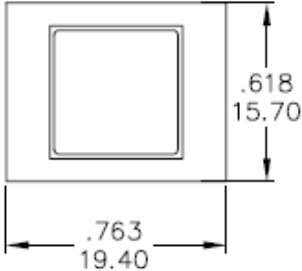
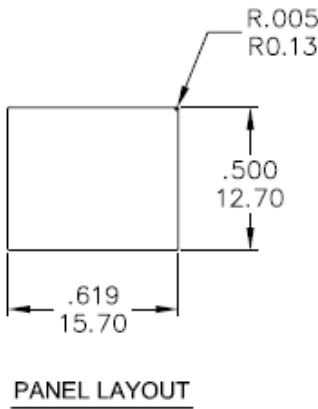
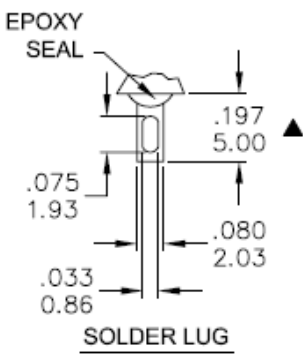
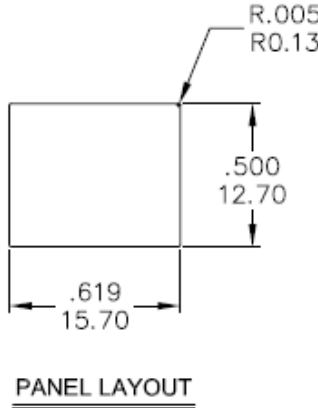
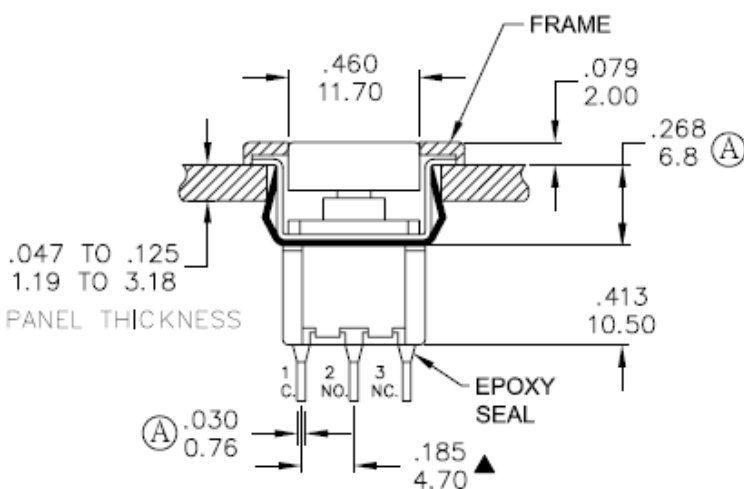


Datasheet

Black SPDT Panel Mount ON-(ON) Push Button Switch, 3 A

RS Stock number [734-6776](#)

Drawing (mm):



SPECIFICATIONS

MECHANICAL LIFE: 50,000 make-and-break cycles.

CONTACT RESISTANCE: 20mΩ max. initial @ 2-4VDC
100mA for both silver and gold plated contacts.

INSULATION RESISTANCE: 1,000MΩ min.

DIELECTRIC STRENGTH: 1,000 V RMS@sea level.

OPERATING TEMPERATURE: -30°C to 85°C.

MATERIALS



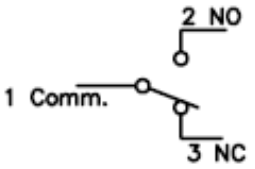
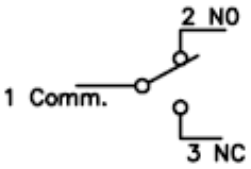
CASE: Dially phthalate (DAP) (UL94v-0).

PLUNGER: Glass filled Nylon or Glass fille polyester.

BUSHING: Brass,nickel plated.

HOUSING: Stainless Steel.

TERMINAL/CONTACT:Silver or gold plated.

Model No.	POS.1	POS.2
		
7MS7	ON	MOM
Term. Comm.	1-3	1-2
SCHEMATIC		

SWITCH FUNCTION