



## Main

Range of product	Harmony 9001K
Product or component type	Head for push-button
Device short name	9001K
Operator profile	Flush, unmarked
Operator additional information	Metal guard

## Complementary

Mounting diameter	30 mm
Shape of signaling unit head	Round
Type of operator	Spring return
Net weight	0.087 kg
Bezel material	Metal
Cap/operator or lens colour	7 colours choice
Operator profile	Flush
Type of operator	Spring return
Contacts type and composition	Without contact block

## Packing Units

Unit Type of Package 1	PCE
Number of Units in Package 1	1
Package 1 Height	9.500 cm
Package 1 Width	5.500 cm
Package 1 Length	5.000 cm
Package 1 Weight	102.000 g
Unit Type of Package 2	S01
Number of Units in Package 2	24
Package 2 Height	15.000 cm
Package 2 Width	15.000 cm
Package 2 Length	40.000 cm
Package 2 Weight	2.622 kg

## Offer Sustainability

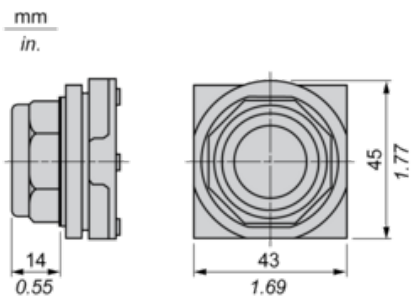
Sustainable offer status	Green Premium product
REACH Regulation	<a href="#">REACH Declaration</a>
EU RoHS Directive	Pro-active compliance (Product out of EU RoHS legal scope)
Mercury free	Yes
China RoHS Regulation	<a href="#">China RoHS Declaration</a>
RoHS exemption information	<a href="#">Yes</a>

Environmental Disclosure	<a href="#">Product Environmental Profile</a>
Circularity Profile	No need of specific recycling operations
WEEE	The product must be disposed on European Union markets following specific waste collection and never end up in rubbish bins

### Contractual warranty

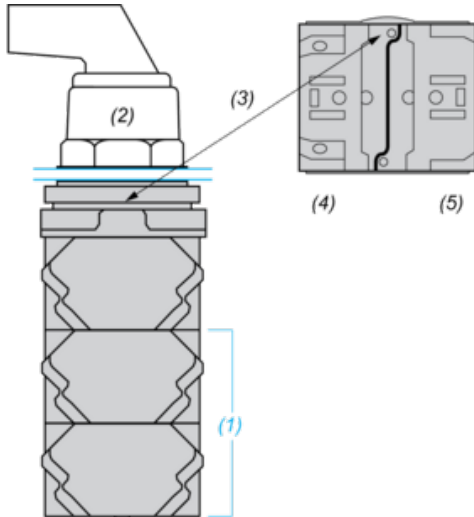
Warranty	18 months
----------	-----------

Dimensions



Contact Block Mounting Position

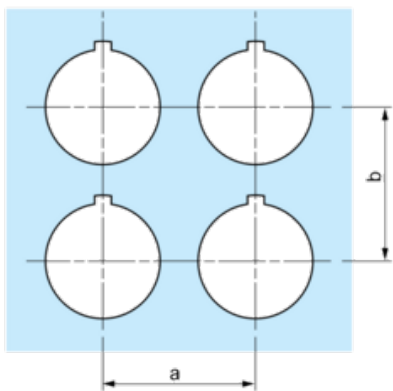
Top and Rear views



- (1) It is possible to mount up to 3 levels of contacts blocks (maximum of 6 contacts blocks)
- (2) Operator
- (3) Locating notch
- (4) Side 1
- (5) Side 2

Panel Cut-Out

Clearance



Legend plate	a min.		b min.	
	mm	in.	mm	in.
9001KN2**	57.2	2.25	44.5	1.75
9001KN3**	57.2	2.25	50.8	2.00

Individual Cut-outs Details

2 alternatives

mm  
in.

