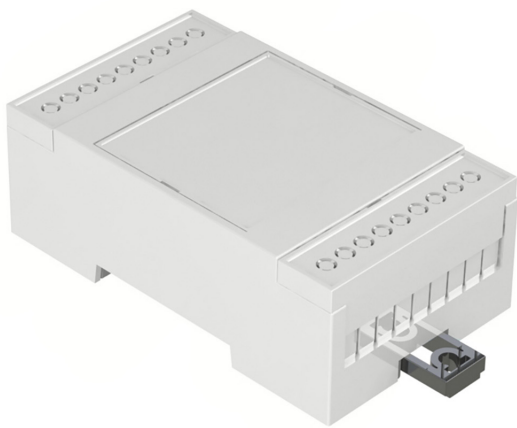




ENGLISH

Datasheet

DIN Rail Instrument Enclosures



PART NUMBER	DESCRIPTION
1947470	Size 3, Open Top, Deep Profile Kit
1947471	Size 3, Open Top, Deep Profile
1947472	Size 3, Open Top, Low Profile Kit
1947473	Size 3, Open Top, Low Profile
1947474	Size 3, Solid Top, Deep Profile Kit
1947475	Size 3, Solid Top, Deep Profile
1947476	Size 3, Solid Top, Low Profile Kit
1947477	Size 3, Solid Top, Low Profile
1947478	Size 6, Open Top, Deep Profile Kit
1947479	Size 6, Open Top, Deep Profile
1947480	Size 6, Open Top, Low Profile Kit
1947481	Size 6, Open Top, Low Profile
1947482	Size 6, Solid Top, Deep Profile Kit
1947483	Size 6, Solid Top, Deep Profile
1947484	Size 6, Solid Top, Low Profile Kit
1947485	Size 6, Solid Top, Low Profile

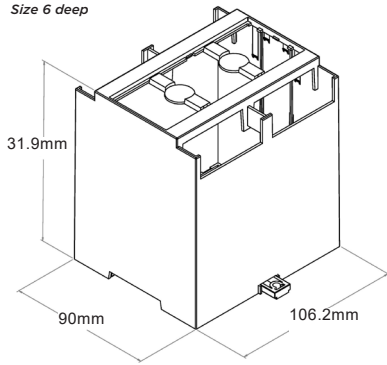
Features and benefits:

- Designed for 35mm DIN Rail mounting
- DIN clips can also be used for surface mounting the housing
- Multiple snap-in PCB positions available (horizontal and vertical)
- x2 pillars in the base for screw fixing PCB
- Snap-fit top covers (see CNMB)
- Snap-fit terminal guards (see CNMB)
- Open top and solid top versions available
- Low profile and deep profile variants
- Enclosure base gives isolation from DIN Rail
- Customisation options include cutouts, holes and vents
- Surfaces, covers, terminal guards easily customised and printed
- Moulded in UL94-V0 polycarbonate

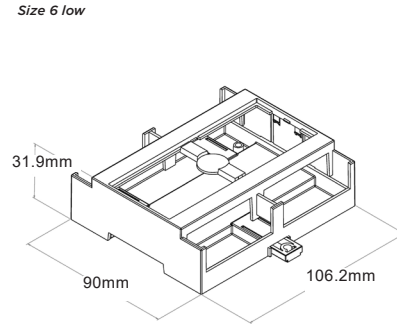


ENGLISH

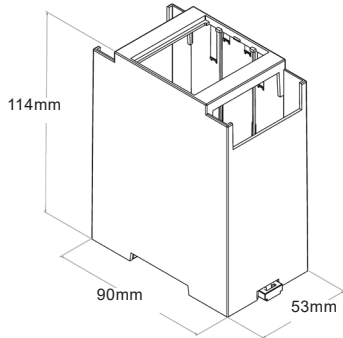
Size 6 deep



Size 6 low



Size 3 deep



size 3 low

