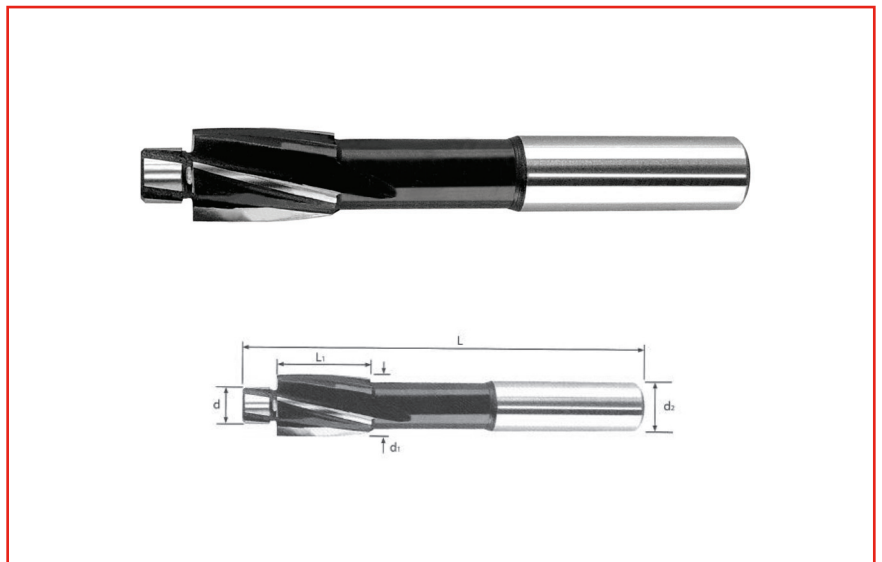


# Datasheet

## RS Pro HSS Counterbores

RS Stock No: 131-864



### Specifications:

4 Flute Straight Shank Counterbores

Used to produce recessed holes for cap head screws

Material: High Speed Steel

DIN 373

Screw Size	d1 (mm)	d2 (mm)	d (mm)	L	L1
M4	8	5	4.5	71	14

Order Code	Manufacturers Code	Description
131-864	28-650-004	HSS Counterbore M4