



Application Guide
Connection Unit

CAT. NO.

KB31TB

KB30FSG

KB30NFSG






KB31DFSG

KB31DNFSG

Vivace

Thank you for choosing **Schneider Electric** Vivace Connection Unit. To ensure proper application of our product, please read through the following information before installation and use.

This application guide applies to the following Vivace products.

	Cat No.	Description
	KB31TB	25A 250V Connection Unit
	KB30FSG	13A 250V Fused Connection
	KB30NFSG	13A 250V Fused Connection Unit With Neon
	KB31DFSG	13A 250V Switched Fused Connection Unit
	KB31DNFSG	13A 250V Switched Fused Connection Unit With Neon

SPECIFICATIONS

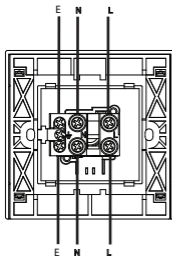
Voltage	: 250VAC
Dimension	: 87mm x 87mm
Mounting Centre	: 60.3mm
Compliance	: For KB31DFSG, KB31DNFSG, KB30FSG, KB30NFSG (BS1363-4), For KB31TB (BS5733)

IMPORTANT NOTE

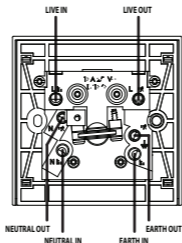
Please check your local wiring regulations before installation.

WIRING DIAGRAM

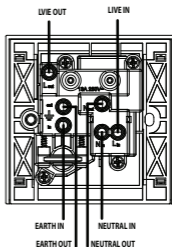
KB31TB



For KB30FSG
and KB30NFSG

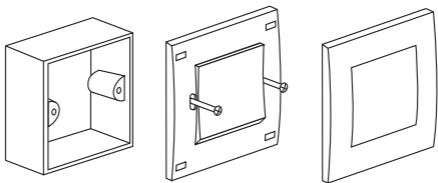


For KB31DFSG
and KB31DNFSG



MOUNTING INSTRUCTION

Please refer to the following diagram for proper installation.



Remarks: For surround mounting, align the clip locks on the faceplate and press firm on the surround. Complete engagement of the clip locks is indicated by a clear "click" sound.

