

Datasheet

Stock No: 335-909

RS Pro Round Tube Wall Bracket, strut profile 42mm

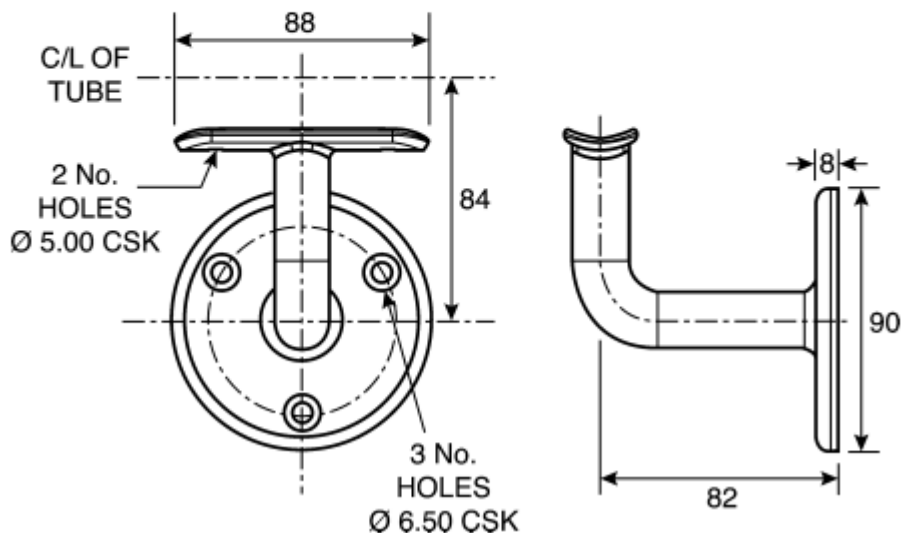


Product Details

DDA-03 Wall Bracket

Provide support of handrail from a wall

Can be fixed to any size rail





ENGLISH

DDA Handrail Fittings

These fittings meet the 1995 Disability Discrimination Act DDA. Handrails can be used to prevent people falling off edges and provide guidance/support for stairs/ramps/walkways. The fittings meet Part M - Easy grip, 40 - 50mm diameter circular section. It also provides a smooth finish between rail and fitting. Horizontal fittings use tube size 2, 42mm OD, whereas vertical fittings use tube size 3, 48mm OD.

Horizontal fittings use tube size 2 (42mm), vertical fittings use tube size 3 (48mm). Internal joint fitting 415-6220 can be used to join rails, 286-3724 plastic end stop can be used to finish off handrails, 286-3645 rail base flange to support upright posts. The galvanised steel tube sections 285-9006, 285-9012, 796-638 (horizontal) and 285-9028, 285-9034, 796-644 (vertical) can be used with these fittings.

Standards

BS EN ISO 1461, 1995 Disable Discrimination Act DDA

Specifications:

Structural Element Type	Round Tube
Connector Type	Wall Bracket
Fits Strut Profile	42 mm
Fits Tube Diameter	42.4mm
Product Family	RS Handrail System
Material	Cast Iron
Product System	DDA