

Toggle Switch With Wire

multicomp^{PRO}

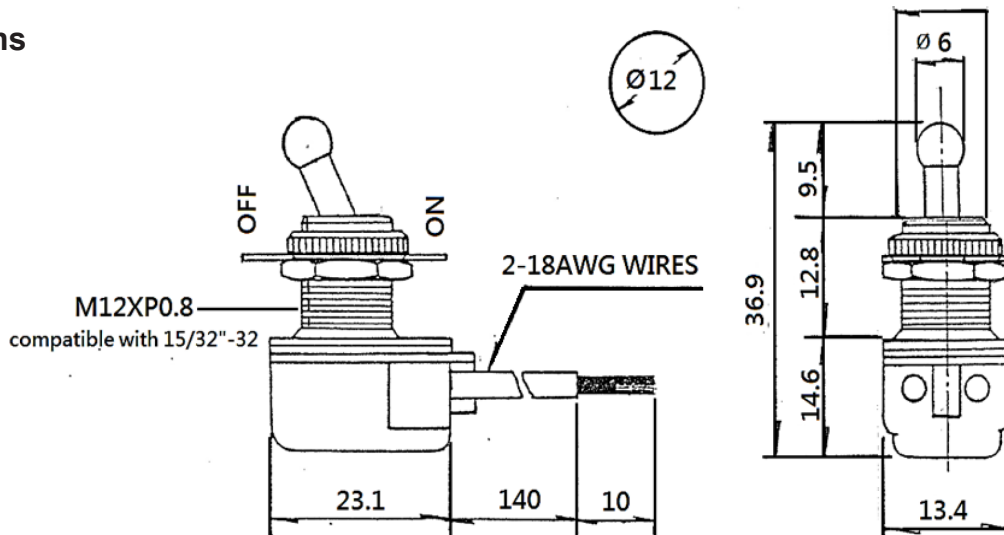
RoHS
Compliant



Specification

Contact Resistance	: 50mΩ max. (initial)
Insulation Resistance	: 100MΩ min. (at 500V DC)
Dielectric Strength	: 1,000V AC 50/60Hz for 1 minute
Service life	: 100,000 operations min Mechanically : 30,000 operations min. Electrically
Voltage Rating	: 12V
Current Rating	: 15A
Function	: SPST ON-OFF

Dimensions



UNIT:mm & inch +0.3mm tolerance

Dimensions : Millimetres

Part Number Table

Description	Part Number
Toggle Switch, SPST ON-OFF, 15A, 12V, Prewired	MP008637

Important Notice : This data sheet and its contents (the "Information") belong to the members of the AVNET group of companies (the "Group") or are licensed to it. No licence is granted for the use of it other than for information purposes in connection with the products to which it relates. No licence of any intellectual property rights is granted. The Information is subject to change without notice and replaces all data sheets previously supplied. The Information supplied is believed to be accurate but the Group assumes no responsibility for its accuracy or completeness, any error in or omission from it or for any use made of it. Users of this data sheet should check for themselves the Information and the suitability of the products for their purpose and not make any assumptions based on information included or omitted. Liability for loss or damage resulting from any reliance on the Information or use of it (including liability resulting from negligence or where the Group was aware of the possibility of such loss or damage arising) is excluded. This will not operate to limit or restrict the Group's liability for death or personal injury resulting from its negligence. Multicomp Pro is the registered trademark of Premier Farnell Limited 2019.

Newark.com/multicomp-pro
Farnell.com/multicomp-pro
Element14.com/multicomp-pro

multicomp^{PRO}