

RS PRO Photoelectric Sensor

RS Stock No.: 202-4467, 202-4469, 202-4470,
202-4471

FEATURES

- 18mm threaded cylinder mounting or side mounting optional;
- IP67, suitable for harsh environments;
- Background suppression function, reliably detect multiple colors and objects;
- 360° bright LED status indicator;
- Visible light spot for easy installation and commissioning.
- Bracket Included: 33*30*14mm



RS Professionally Approved Products bring to you professional quality parts across all product categories. Our product range has been tested by engineers and provides a comparable quality to the leading brands without paying a premium price.

Part Number Description

Part number	Sensing distance	Light source	Output	Connection
202-4467	10cm (not adjustable)	Red light (660nm)	NPN NO/NC	2m PVC cable
202-4470	10cm (not adjustable)	Red light (660nm)	PNP NO/NC	2m PVC cable
202-4469	10cm (not adjustable)	Red light (660nm)	NPN NO/NC	M12 connector
202-4471	10cm (not adjustable)	Red light (660nm)	PNP NO/NC	M12 connector

General Specifications

Detection Type	Background suppression sensor
Rated distance	10cm
Light Spot	8*8mm@10cm
Response Time	≤0.5ms
Hysteresis [%/Sr]	≤5%
Indicator	Green light: power, stable signal (Low brightness means weak signal) Yellow light: output, overload or short circuit (flash)
Ambient Temperature	-15°C...60 °C
Ambient humidity	35...95%RH (Non-condensing)
Anti-ambient light	Anti-sunlight interference ≥ 10,000lux; Incandescent light interference ≥ 3,000lux
Distance adjustment	Non-adjustable

Electrical Specifications

Operating Supply Voltage	10...30 VDC
Current Consumption	≤25mA
Residual voltage	≤1.8V
Load Current	≤100mA
Voltage withstand	1000V/AC 50/60Hz 60s
Insulation resistance	≥50MΩ(500VDC)
Vibration resistance	10...50Hz (0.5mm)
Reverse Polarity Protection	YES
Overload Protection	YES
Short Circuit Protection	YES

Mechanical Specifications

Body Style	Block
Mounting Type	18mm threaded cylinder mounting or side mounting
Housing Material	ABS
Lens/Face Material	PMMA
Dimensions	31*35*15mm
Gross Weight	50g (connector type) / 95g (cable type)

Protection Category

IP Rating	IP67
------------------	------

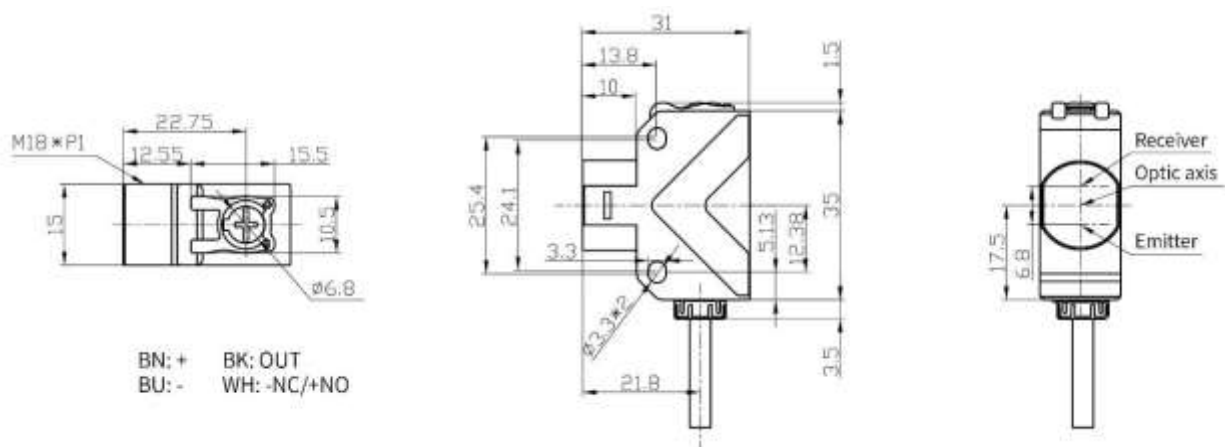
Additional Information

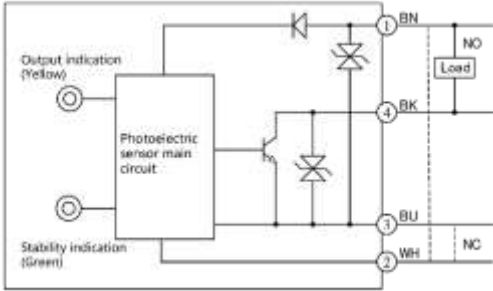
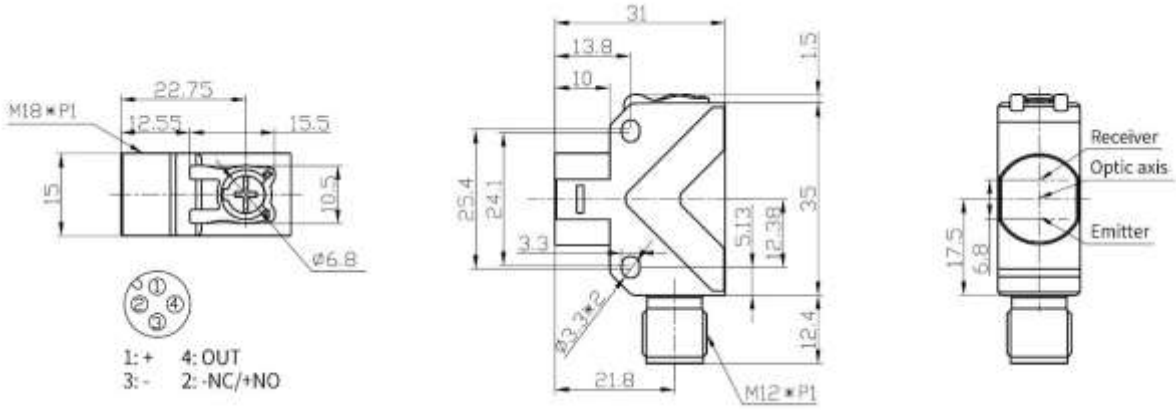
Custom Tariff Number/HS code	903180
NO/NC adjustment	NO: white line is connected to the positive electrode;; NC: white line is connected to the negative electrode;;

Approvals

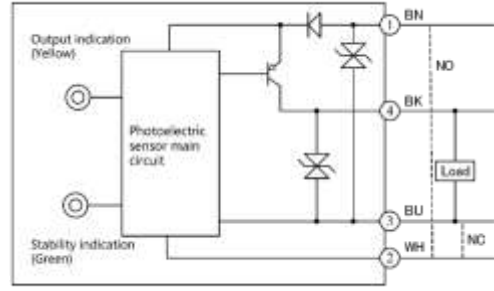
Compliance/Certifications	CE
----------------------------------	----

Dimension and Wiring





NPN



PNP