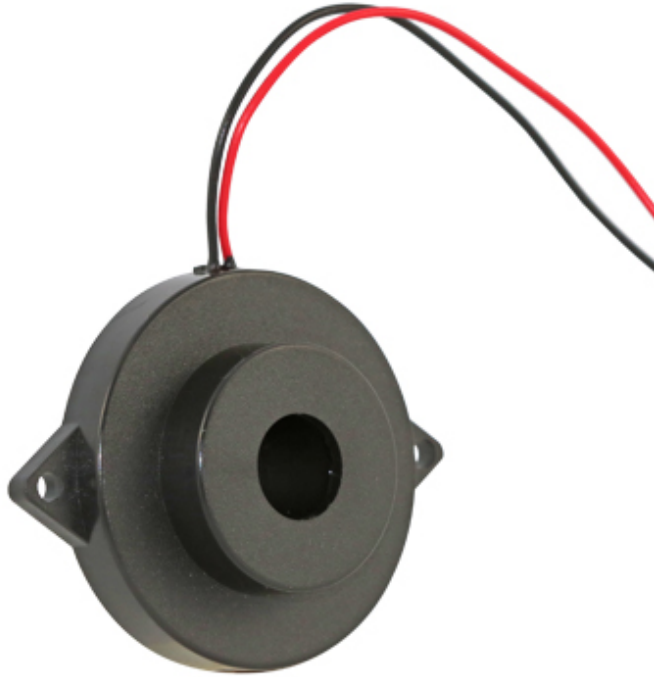




Datasheet
Stock No. 1881767,1882205
RS PRO PIEZO BUZZER



ENGLISH



Specifications

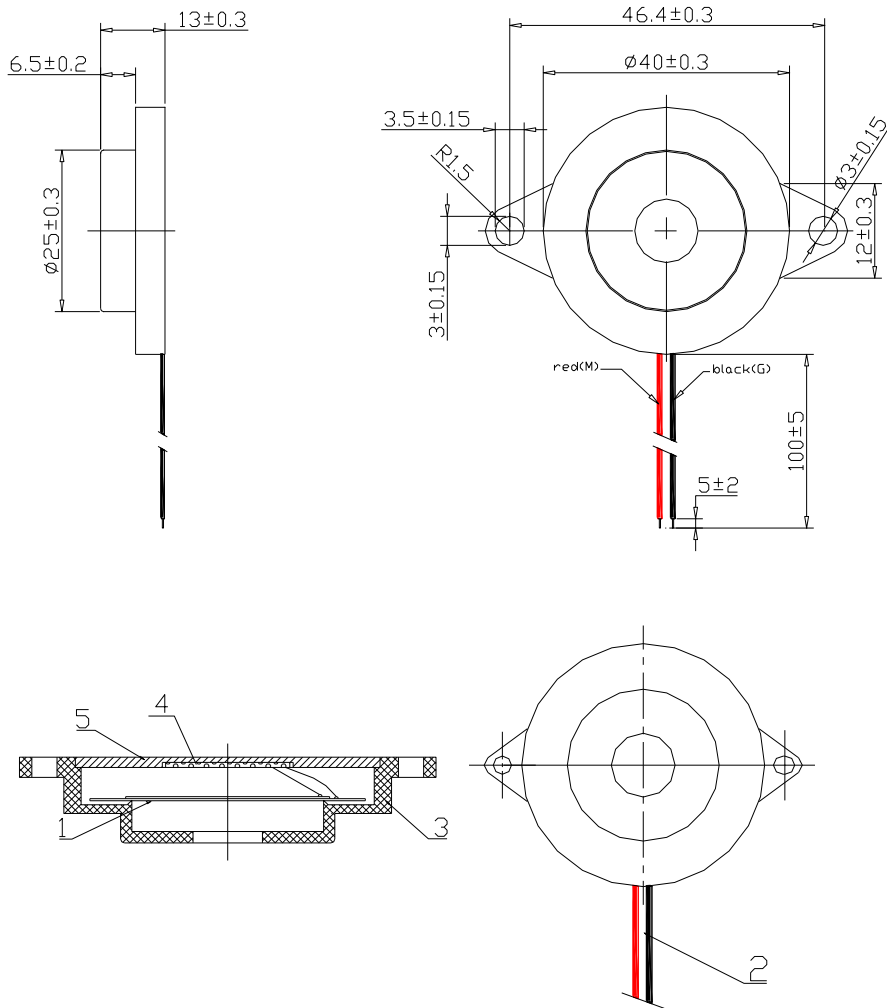
1881767,1882205

Rated voltage (Vp-p)	9Vp-p
Operating voltage	1-40Vp-p
Sound output at 3200Hz at 10cm	≥110dB (typical 115dB)
Resonant frequency	3200 ± 500Hz
Operating temperature	-30~+70°C
Storage temperature	-40~+85°C
Weight	5g
Tone	Single

Features

- ROHS compliant
- Wave solder & wash not allowed
- All data at 25°C unless otherwise specified

Unless otherwise specified, tolerance:±0.5(unit:mm)



No.	Part Name	Qty	Material
5	Cover	1	BLACK ABS777D
4	PCB	1	Epoxy Board
3	Housing	1	BLACK ABS777D
2	Lead wire	2	UL1095 AWG28 (Red & Black)
1	Piezo element	1	Stainless steel