



ENGLISH

Product Datasheet

22 mm Protection Cap

Switch flip guard for 22mm pushbuttons



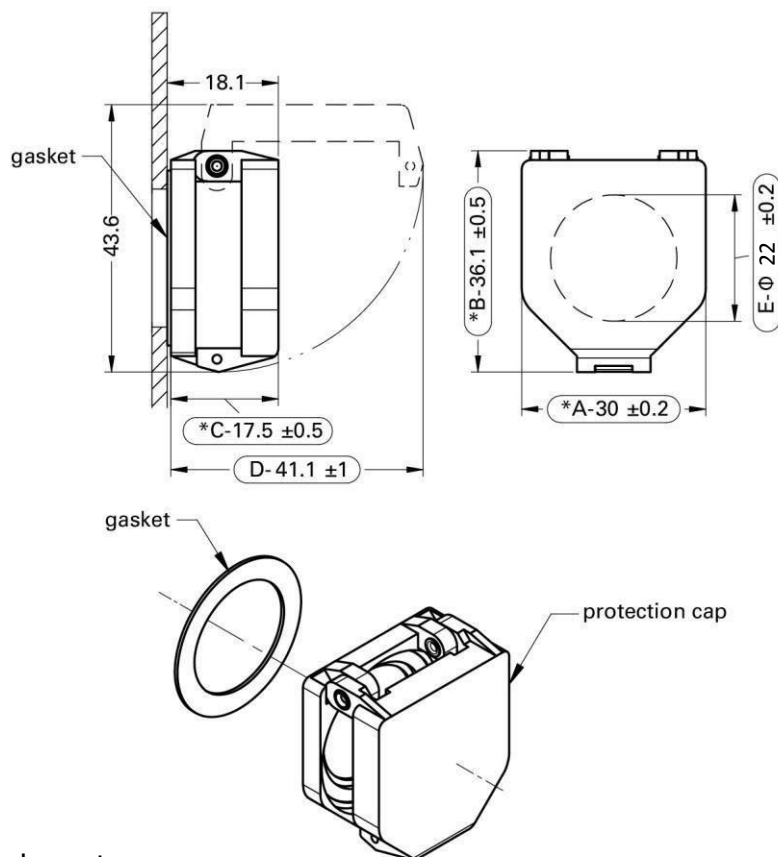
Product Specifications:

Material	Cover	Plastic
	Base	Plastic
	Gasket	Rubber
Mounting hole	$\phi^{22\text{mm}}$	
Optics	Transparent	

RoHS
Compliant

22 mm protection cap

To avoid faulty operation, transparent



Layout

