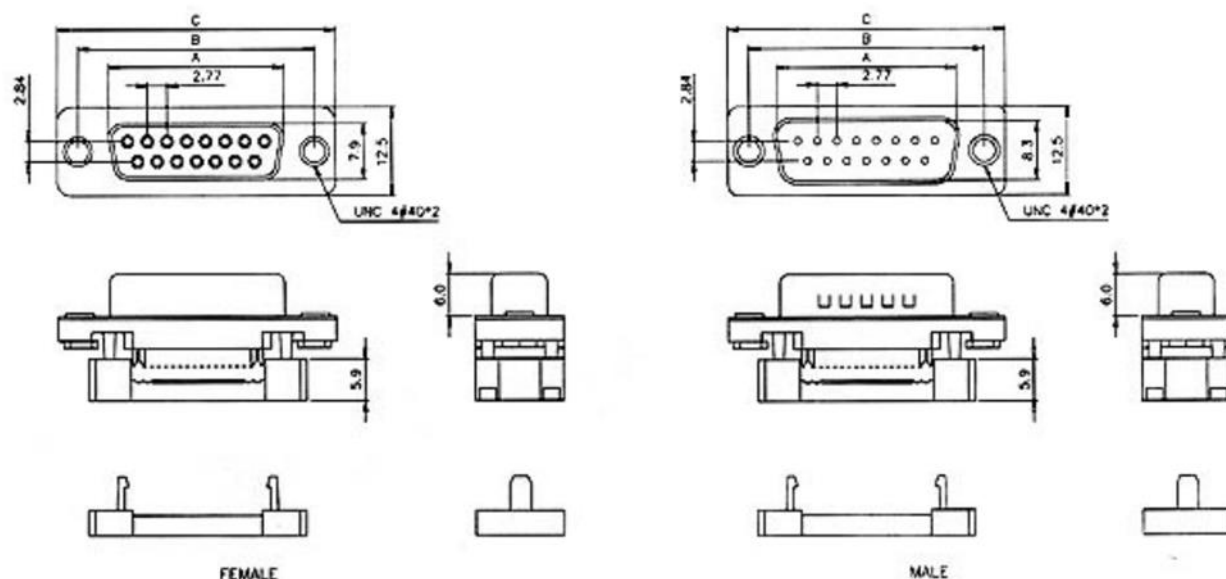


Datasheet

Pitch 9 Way IDC D-sub Connector, Socket, Thermoplastic Shell

RS Stock number [642-4812](#)

Drawing (mm):



Position	A	B	C
9F	16.30	25.00	30.8
15F	24.60	33.30	39.2
25F	38.30	47.10	53.1
37F	54.80	63.50	69.4

Position	A	B	C
9M	16.92	25.00	30.8
15M	25.25	33.30	39.2
25M	38.96	47.10	53.1
37M	55.42	63.50	69.4