

SIKA Thermometers

Casing 110x30 mm · gold-coloured anodized

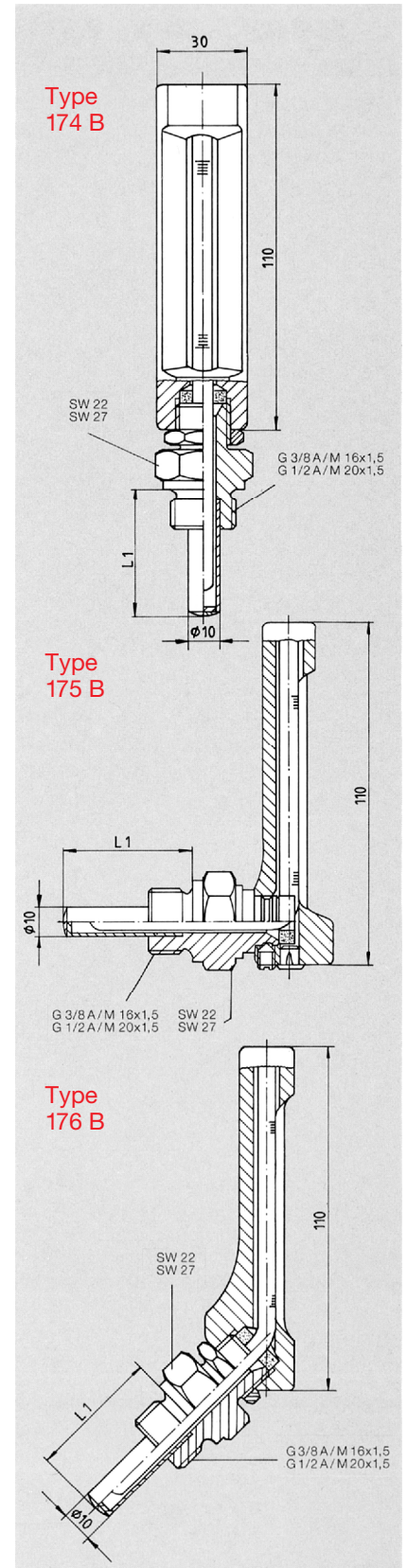
DIN 16181B, B1
DIN 16182S, S1



Order Example	174	2	35	1	1	030	2	1
Thermometer execution	Type							
straight	174							
angle 90°, backwards	175							
angle 135°, backwards	176							
Immersion tube type	B = 2 Bdr ¹⁾ = 6							
Ranges								
	-30 + 50°C =		35					
	0 + 60°C =		06					
	0 + 100°C =		10					
	0 + 120°C =		12					
	0 + 160°C =		16					
	0 + 200°C =		20					
Division Celsius (°C)				1				
Celsius + Fahrenheit (°C + F)				2				
Columns (Filling)								
Blue fluid is standard for ranges up to +200°C				Fü =	1			
Optional: mercury				Hg =	2			
Immersion tube lengths								
l _i in mm (incl. thread)				30 =	030			
				40 =	040			
				63 =	063			
				100 =	100			
				160 =	160			
				250 =	250			
				400 =	400			
Thread connection				G 3/8 A/SW 22 =	1			
				G 1/2 A/SW 27 =	2			
				M 16x1,5/SW 22 =	5			
				M 20x1,5/SW 27 =	7			
Immersion tube materials								
Brass (hex.nut Ms58/tube special brass Ms76, brazed or MS63) or up to immersion length l _i = 63, G 1/2 A available in Ms58 solid material					1			
Steel (hex.nut 9SMnPb28K/tube steel St. 35, welded)					2			
Stainless steel 1.4571 (hex.nut and tube)					3			
Special brass Ms76 (hex.nut SoMs59 / tube SoMs76)					4			
CuNi30Fe (hex.nut and tube)					5			

Immersion tubes of all right-angled thermometers are manufactured with a grooved adapter piece on top, which is installed in the casing and kept in its place by a set screw.

Advantage: Immersion tube can be installed independently of thermometer casing. No turning of thermometer casing is necessary on installation.



¹⁾ Bdr: Special execution of angle-type thermometer: After installation, casing can be turned by 360° in any direction. See page 9 for description and illustration.