

FEATURES

- EMC approved (ECE R10)
- Sealed for life against dust and moisture ingress
- Meets IP67 protection standards
- • -30 to +50° (extreme temperature
- Low power consumption
- Providing excellent all-round visibility

RS PRO Amber LED Beacon, 110 → 230 V ac, Flashing, Screw Mount

RS Stock No.: 907-5996



RS Professionally Approved Products bring to you professional quality parts across all product categories. Our product range has been tested by engineers and provides a comparable quality to the leading brands without paying a premium price.

Product Description

These Low Profile LED Beacons from our own RS PRO brand is ideal for off-road use and is also suitable for a variety of vehicles and industrial applications. The use of LED technology offers substantial maintenance savings by avoiding the need for regular lamp replacement which could be tricky on higher vehicles

General Specifications

Bulb Type	LED
Light Effect	Flashing
Lens Colour	Amber
Flash Pattern	Static , Single, Double ,Quad
Housing Colour	Black
Lamp Include	Yes
Multifunction	Yes
Number of flash patterns	4
Number of LED	4
Special Features	Fully Encapsulated Electronics, Low Power Consumption

Electrical Specifications

Supply Voltage	110VDC to 230 VDC
Current Type	DC

Mechanical Specifications

Dimensions	95mm (h)
Base Diameter	77mm
Mounting Style	Screw Mount

Operation Environment Specifications

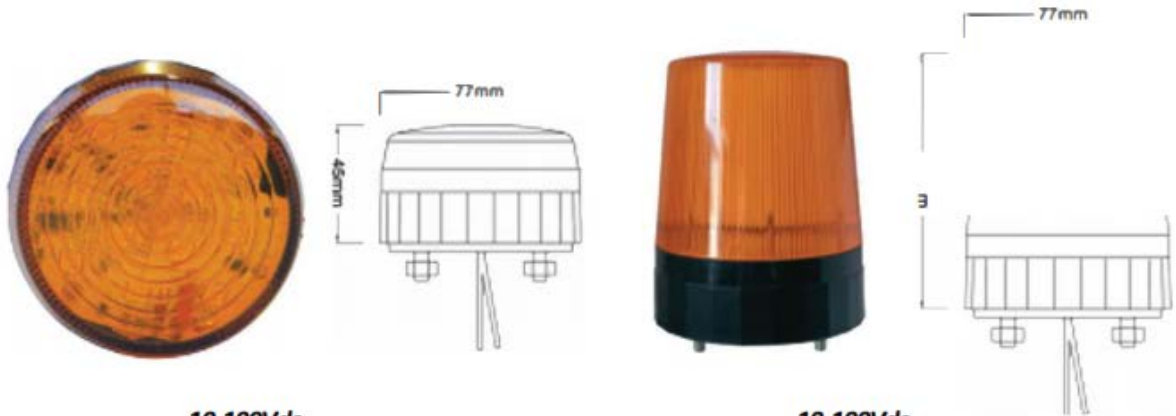
Maximum Temperature	-30°C
Minimum Temperature	+50°C

Protection Category

IP Rating	IP 67
------------------	-------

Approvals

Standards Met	EMC (ECE R10), RoHS Compliant
----------------------	-------------------------------



- 10-100Vdc**
- AMBER RS 907-5961
 - RED RS 907-5965
 - GREEN RS 907-5974

- 110-230Vac**
- AMBER RS 907-5977
 - RED RS 907-5971

- 10-100Vdc**
- AMBER RS 907-5980
 - RED RS 907-5983
 - GREEN RS 907-5987

- 110-230Vac**
- AMBER RS 907-5996
 - RED RS 907-5999

