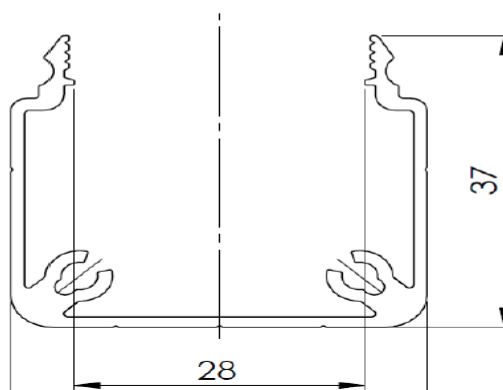
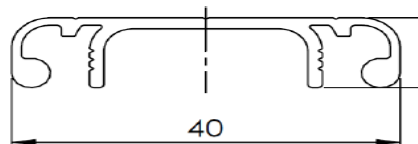
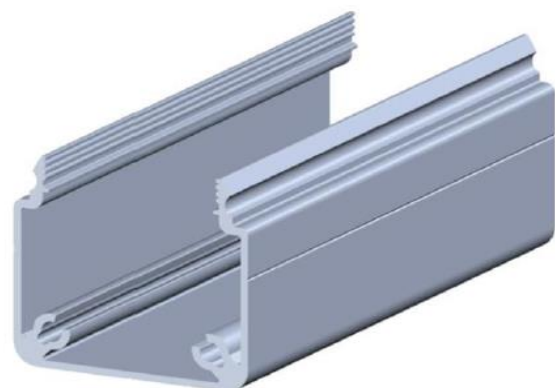
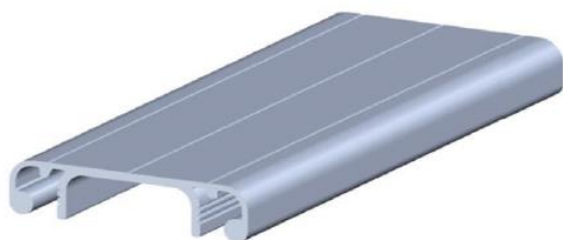


# Datasheet

## Cable Channel 40x40

RS Stock number 850-8492



G	0,89 kg/m
VPE / PU	1 pcs.
L	2000 mm

### Technical data strut profiles

EN AW – AlMgSi0,5

DIN EN 573

Tolerances

DIN EN 12020-2

Anodizing process

E6C0