



ENGLISH

1797430 ELECTRO MECH, SURFACE MOUNT TRANSDUCER

SOUNDERS & BUZZERS

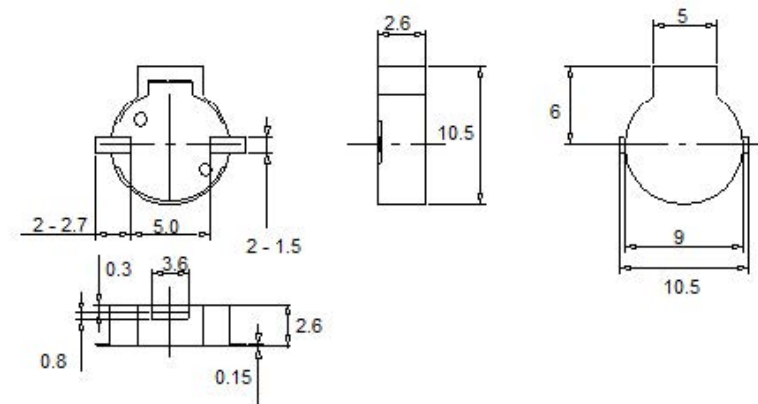
Specifications

1797430

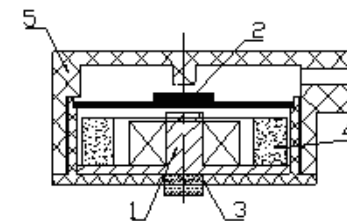
| | |
|---------------------------------|--------------|
| Rated voltage(Vp-p square wave) | 3Vp-p |
| Operating voltage | 2Vp-p -4Vp-p |
| Rated current* | ≤100mA |
| Sound output at 3000Hz at 10cm* | ≥85dB |
| Resonant frequency* | 2731Hz |
| Coil resistance | 15±3Ω |
| Operating temperature | -30~+70°C |
| Storage temperature | -40~+85°C |
| Weight | 0.7g |

*Value applying at rated voltage (AC)

Requires additional electronic circuitry to operate as a sounder



1. Coil part - Copper and Iron
2. Diaphragm - Iron
3. Csse - LCP
4. Magnet- Ferrite
5. Cover - LCP



Features

- ROHS compliant
- Black in colour
- Wave solderable, not washable
- Lead pin material: Red copper (DSn)
- Sound port on side

All data at 25°C unless otherwise specified

Dimensions Unit: mm Tolerance: ±0.5mm