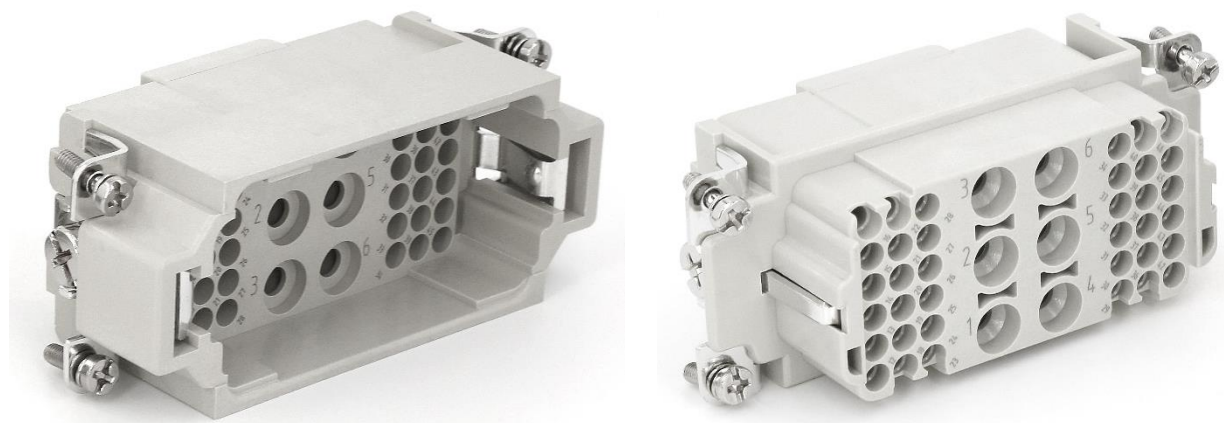


## Datasheet

# RS PRO RS-HK Combination Inserts



The RS PRO Heavy-Duty Connector series is a full range of heavy-duty inserts, housings, crimps and accessories. The inserts are all made from Polycarbonate to industry standard sizes and are available in a choice of screw, crimp or spring clam terminations in a large variety of current ratings. Modular inserts are also offered allowing for maximum versatility when designing a system. These connectors have been created for applications that are subjected to harsh environments or where high vibration can cause standard connectors to fail. This makes them ideal for food & beverage manufacturing, packaging machines, conveyor belt systems, railway, oil & gas processing and other industrial automation. The entire range of connectors are RoHS compliant and as with all RS PRO products, offer exceptional value for money.

## Features & Benefits:

- Combination/Hybrid Inserts
- Crimp or Screw Termination
- High and Low Current in one Insert
- High and Low Voltage in one Insert
- For use with 10A, 16A, 40A & 70A crimps
- Polycarbonate Body

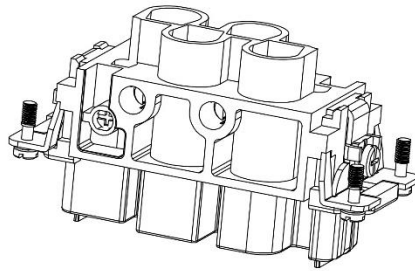
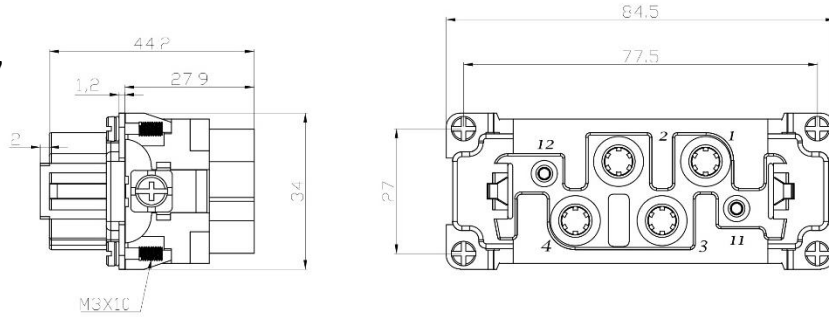
## Quality Standards



## Dimensional line drawings

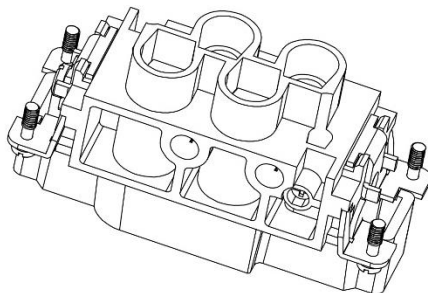
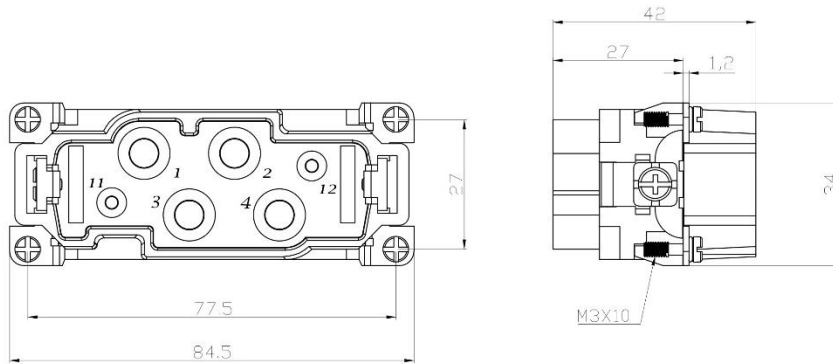
### 4 Pole Female Screw 80A 830V AWG 16-6 for RS PRO H16B series Housing

208-4547



### 4 Pole Male Screw 80A 830V AWG 16-6 for RS PRO H16B series Housing

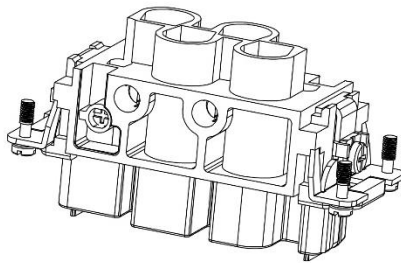
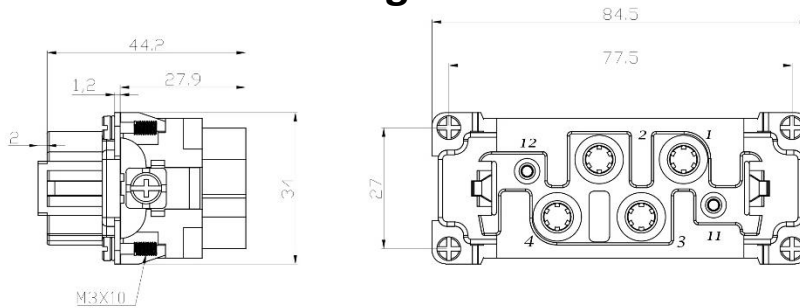
208-4548



## Dimensional line drawings

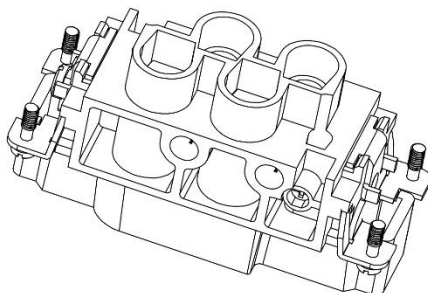
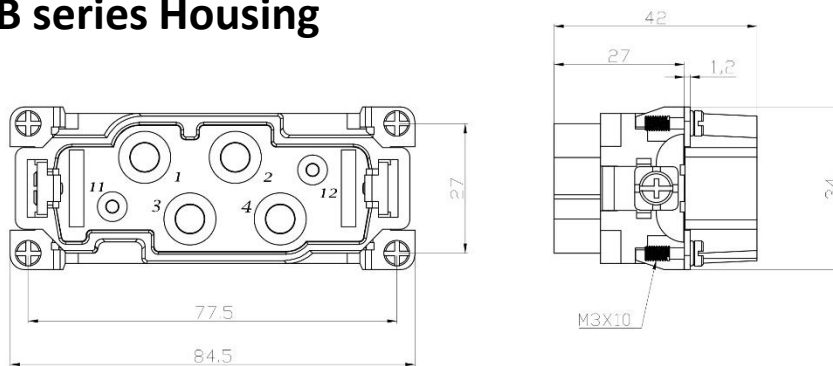
### 4+2 Pole Female Screw 80A/16A 830V/400V AWG 16-6 & 20-14 for RS PRO H16B series Housing

208-4550



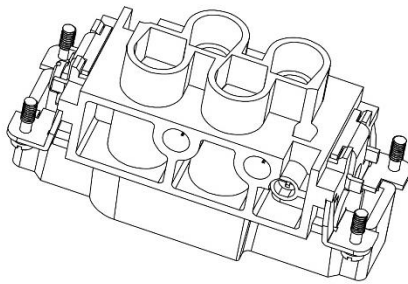
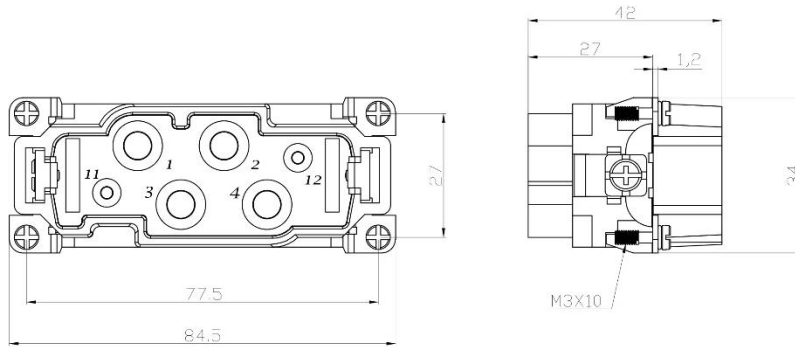
### 4+2 Pole Male Screw 80A/16A 830V/400V AWG 16-6 & 20-14 for RS PRO H16B series Housing

208-4551

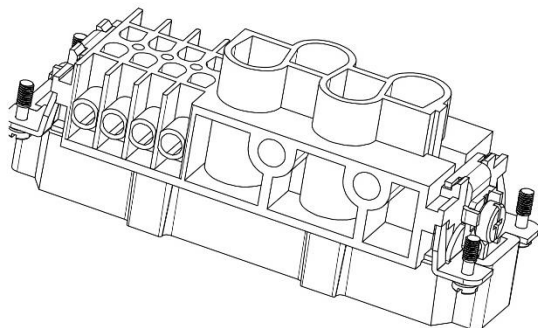
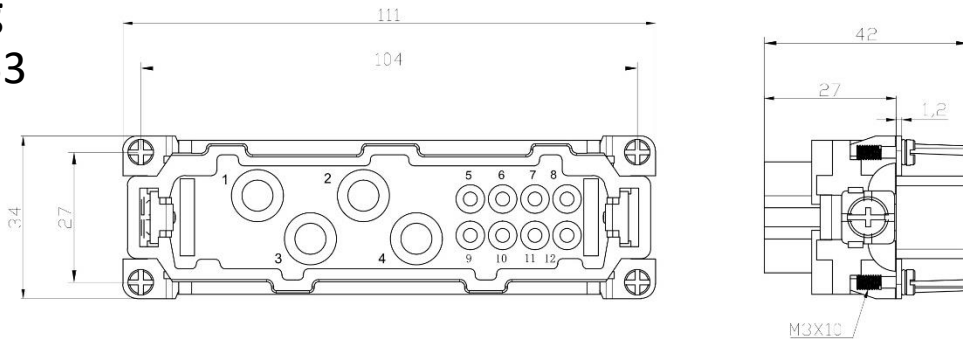


## Dimensional line drawings

### 4+8 Pole Female Screw 80A/16A 400V for RS PRO H24B series Housing 208-4552



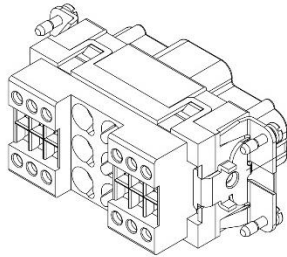
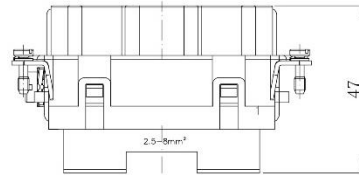
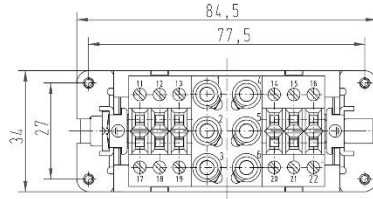
### 4+8 Pole Male Screw 80A/16A 400V for RS PRO H24B series Housing 208-4553



## Dimensional line drawings

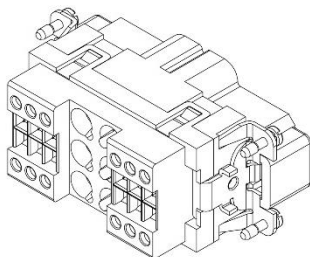
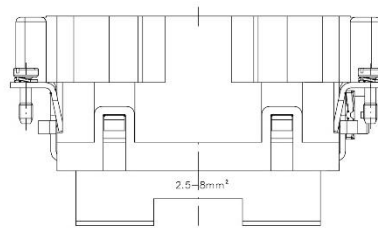
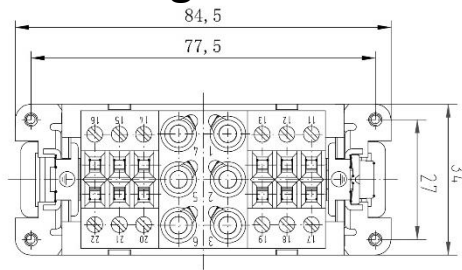
### 6+12 Pole Female Screw 40A/10A 690V/400V Cable Diameter 2.5-8mm<sup>2</sup> for RS PRO H16B series Housing

208-4554



### 6+12 Pole Male Screw 40A/10A 690V/400V Cable Diameter 2.5-8mm<sup>2</sup> for RS PRO H16B series Housing

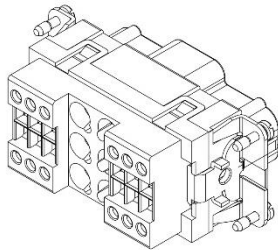
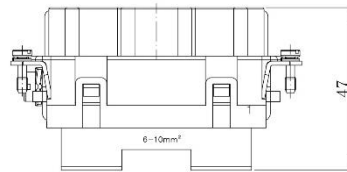
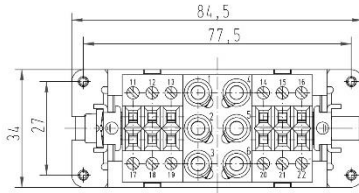
208-4556



## Dimensional line drawings

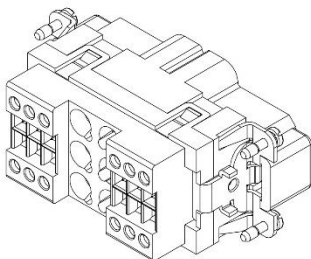
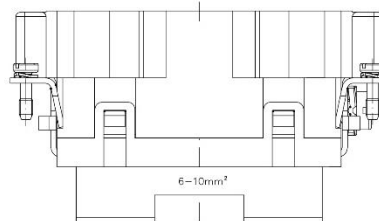
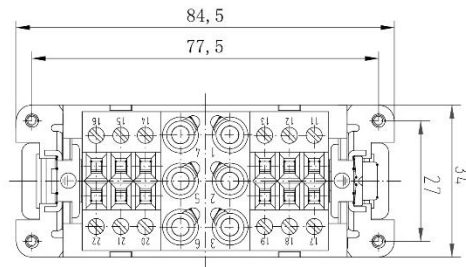
### 6+12 Pole Female Screw 40A/10A 690V/400V Cable Diameter 6-10mm<sup>2</sup> for RS PRO H16B series Housing

208-4557



### 6+12 Pole Male Screw 40A/10A 690V/400V Cable Diameter 6-10mm<sup>2</sup> for RS PRO H16B series Housing

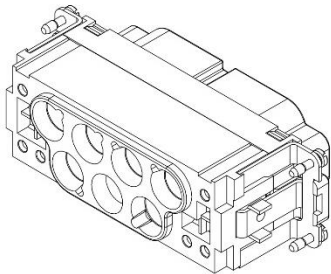
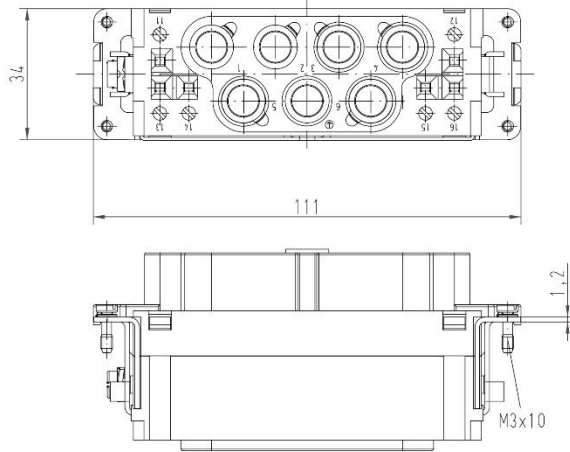
208-4558



## Dimensional line drawings

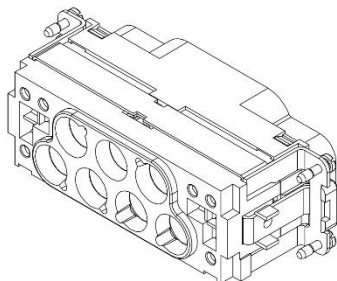
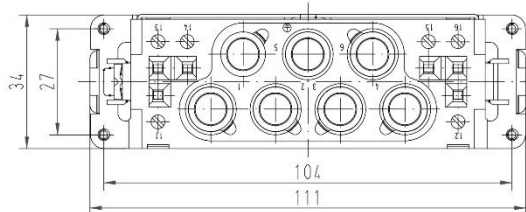
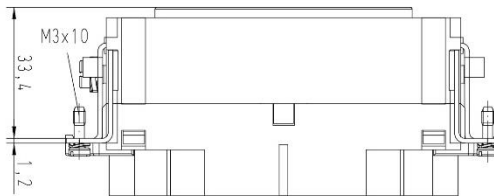
### 6+6 Pole Female Screw 100A/16A 690V/400V for RS PRO H24B series Housing

208-4561



### 6+6 Pole Male Screw 100A/16A 690V/400V for RS PRO H24B series Housing

208-4562

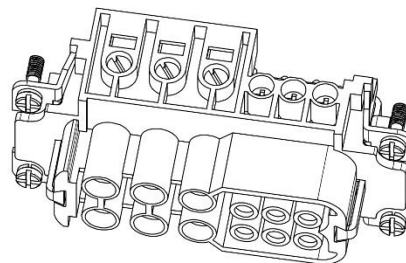
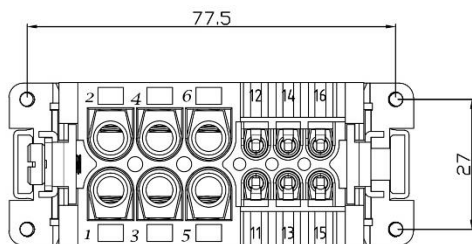
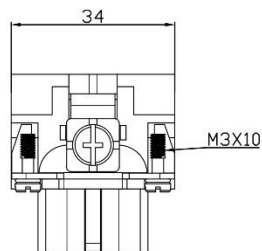
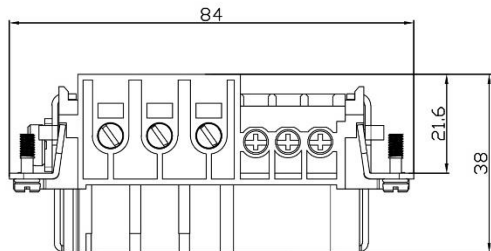




## Dimensional line drawings

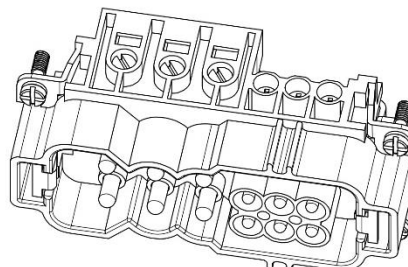
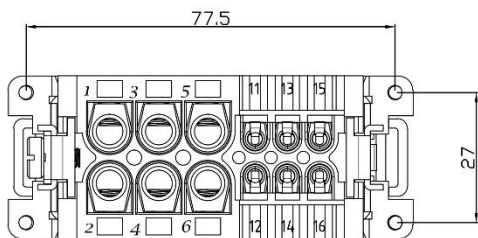
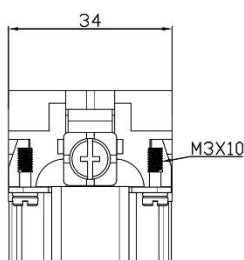
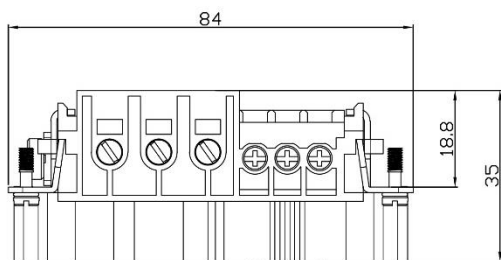
### 6+6 Pole Female Screw 40A/16A 690V/400V for RS PRO H16B series Housing

208-4618



### 6+6 Pole Male Screw 40A/16A 690V/400V for RS PRO H16B series Housing

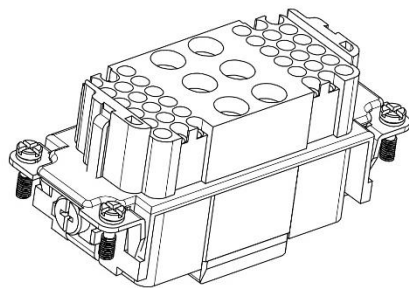
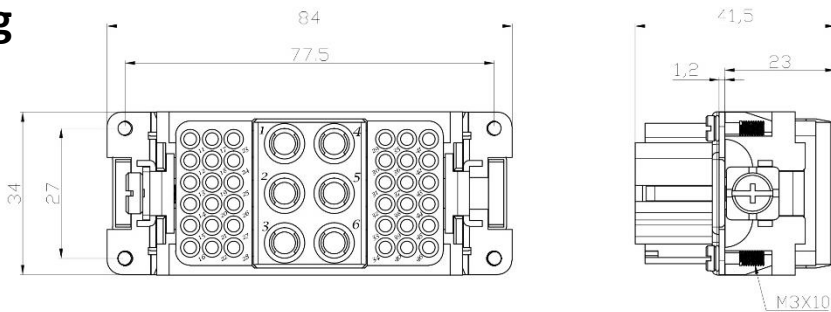
208-4619



## Dimensional line drawings

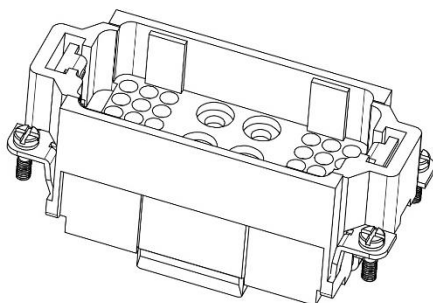
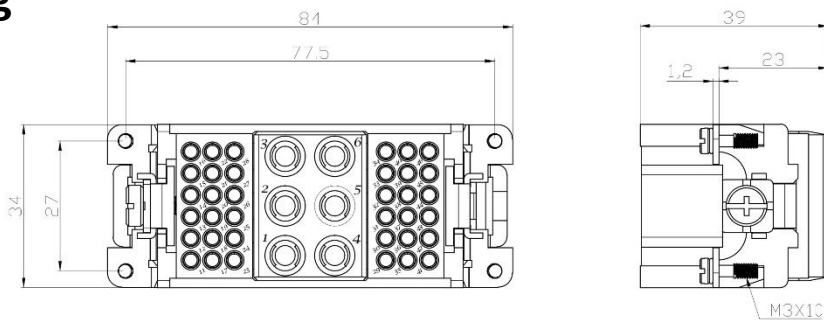
### 6+36 Pole Female Crimp 40A/10A 690V/160V for RS PRO H16B series Housing

208-4559



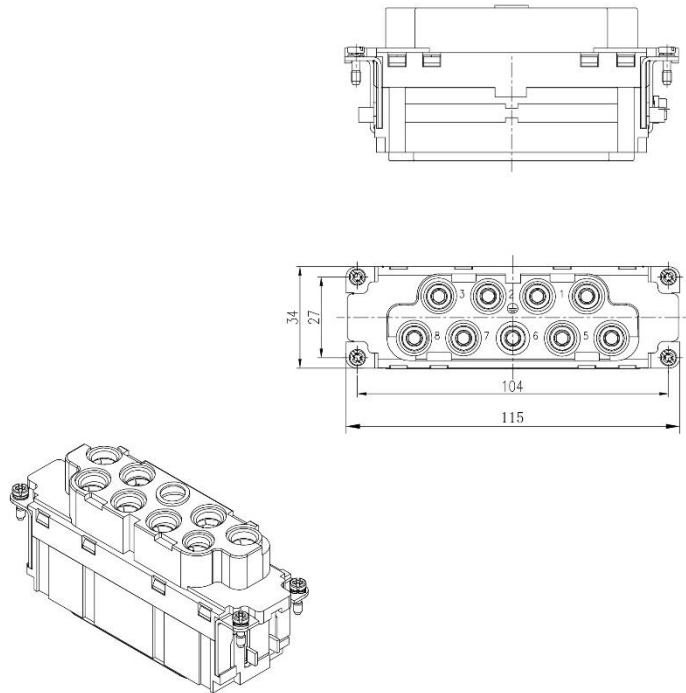
### 6+36 Pole Male Crimp 40A/10A 690V/160V for RS PRO H16B series Housing

208-4560

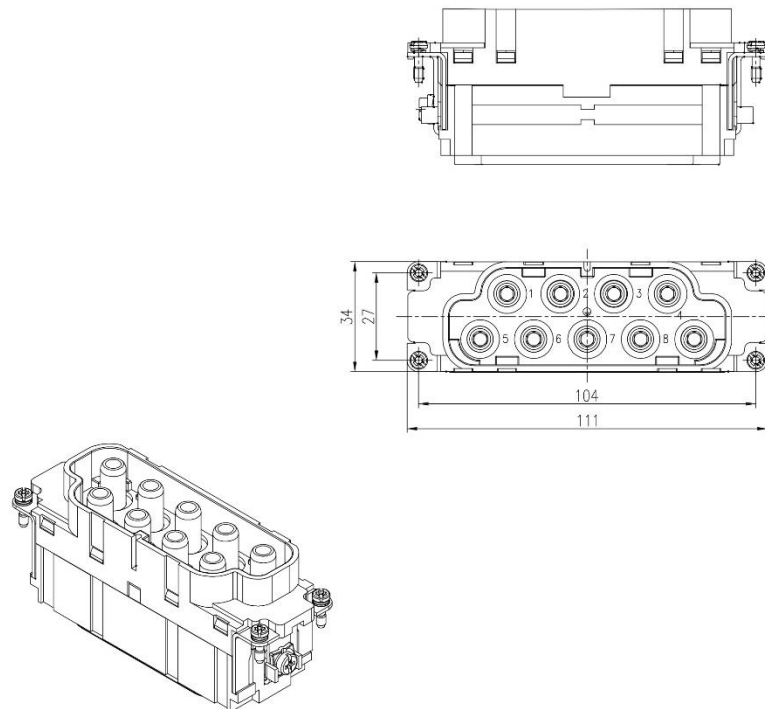


## Dimensional line drawings

### 8 Pole Female Screw 100A 690V for RS PRO H24B series Housing 208-4563

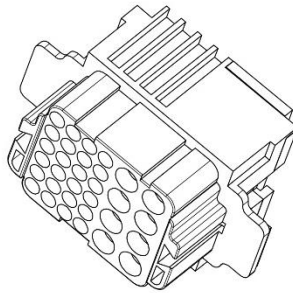
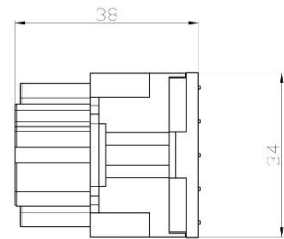
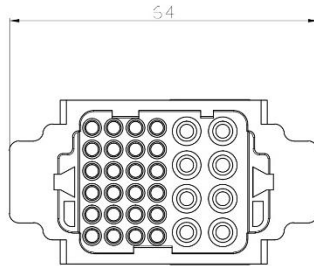


### 8 Pole Male Screw 100A 690V for RS PRO H24B series Housing 208-4564

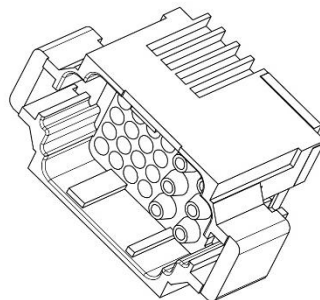
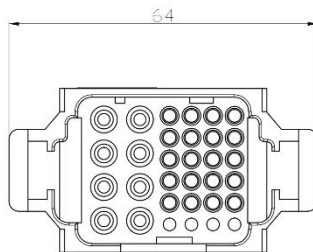


## Dimensional line drawings

**8+24 Pole Female Crimp 16A/10A 400V/160V for RS PRO H10B series Housing**  
208-4565

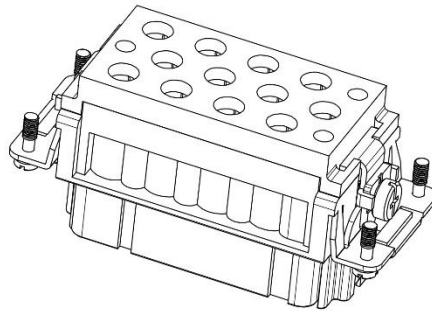
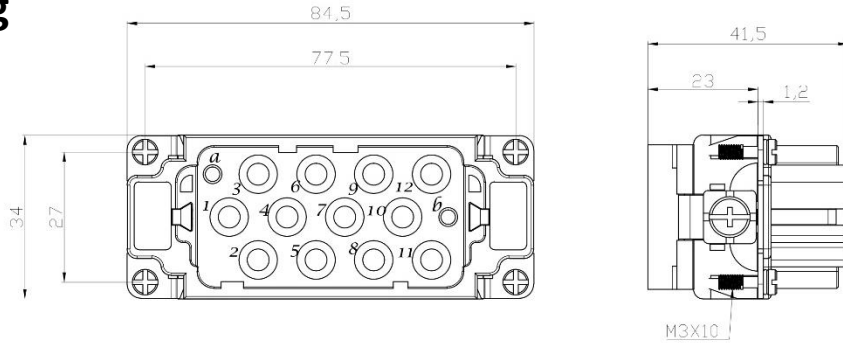


**8+24 Pole Male Crimp 16A/10A 400V/160V for RS PRO H10B series Housing**  
208-4566



## Dimensional line drawings

### 12+2 Pole Female Crimp 40A/10A 690V/250V for RS PRO H16B series Housing 208-4567



### 12+2 Pole Male Crimp 40A/10A 690V/250V for RS PRO H16B series Housing 208-4568

