



Datasheet

RS PRO Female XLR to 6.35mm Jack Adapter, Metal

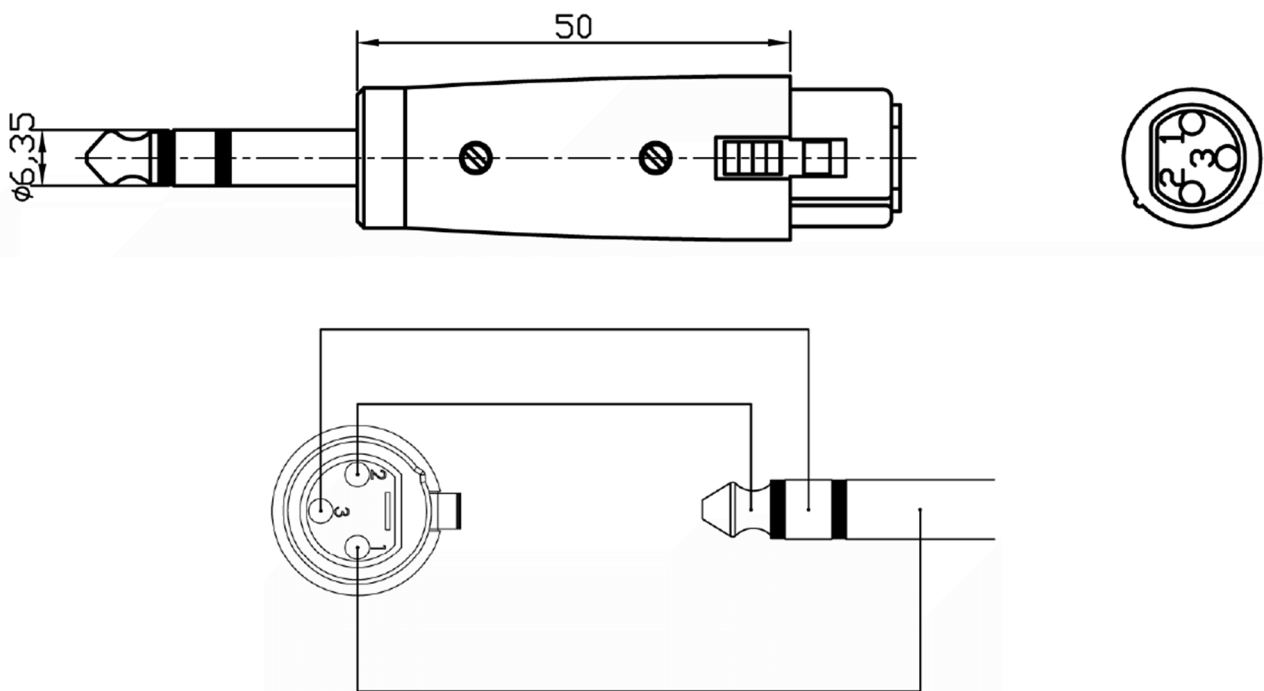
Stock number: 192-4477

EN

The RS PRO female XLR to male 6.35 jack adapter is a metal adapter which has a three pin male XLR connector on one side and 6.35mm jack on the other side.

The pins on the XLR connector are gold plated which helps with anti-corrosion and ensures a good connection for better audio quality, the 6.35mm jack is nickel.

XLR cables are generally used for sound, video and lighting equipment. An adapter such as this could be used to adapt a male XLR cable to a 6.35mm port on audio equipment.



RoHS / REACH / CE