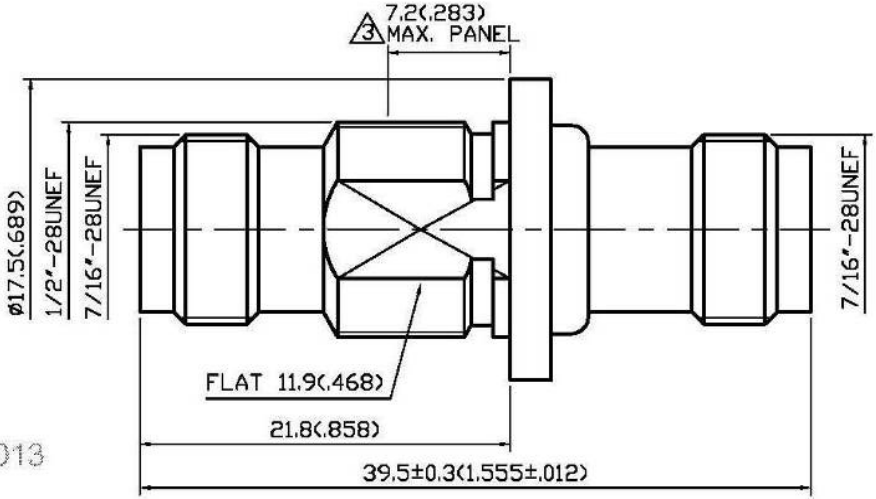
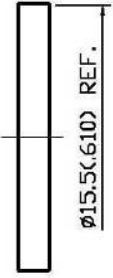
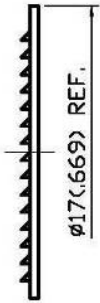
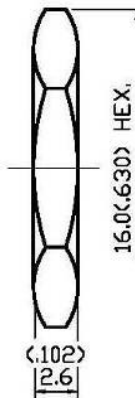
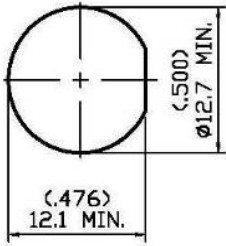


NO	DESCRIPTION	DATE
①	NICKEL 100μ" MIN. → NICKEL	06.06.12'
②	MODIFY 5.2	08.01.12'
③	5.5 → 7.2	09.05.12'
④	DEL PROOF VOLTAGE WORKING VOLTAGE → VOLTAGE RATING	01.02.13'



01/03/2013



MOUNTING HOLE
SCALE 2:1

1.0 ELECTRICAL

- 1.1 FREQUENCY RANGE: DC-11 GHz
- 1.2 NOMINAL IMPEDANCE: 50 OHM
- 1.3 VOLTAGE RATING: 500 VOLTS MAX. ④
- 1.4 S11,S22: VSWR: 1.3 MAX. @6 GHz

2.0 MATERIALS

- 2.1 BODIES: BRASS PER JIS-C3604
- 2.2 CENTER CONTACT: BRASS PER JIS-C3604
- 2.3 INSULATION: TEFLON PER ASTM D1457 AND ASTM D1710

3.0 FINISHES AND OTHERS

- 3.1 SEE BELOW TABLE FOR DETAILS.

4.0 MECHANICAL

- 4.1 INTERFACE IN ACCORDANCE WITH: MIL-STD-348A

5.0 ENVIRONMENTAL

- 5.1 OPERATING TEMPERATURE RANGE: -65° C TO +165° C
- 5.2 CONNECTOR MUST WITHSTAND WATERPROOF LEAK TEST PRESSURE 7kg/cm² MIN. ②
- 5.3 STORAGE TEMPERATURE RANGE: -30° C TO +70° C
- 5.4 STORAGE HUMIDITY: 90% RH MAX.

10	CENTER CONTACT	BRASS	2	GOLD 30μ" MIN.
9	CHASSIS	BRASS	1	NICKEL 100μ" MIN.
8	O-RING	SILICONE	1	RED
7	HERMETICALLY SEALED	—	1	NONE
6	BODY	BRASS	1	NICKEL 100μ" MIN.
5	INSULATION	TEFLON	2	NONE
4	WASHER	BRASS	1	NICKEL
3	GASKET	SILICONE	1	RED
2	WASHER	STEEL	1	NICKEL
1	NUT	BRASS	1	NICKEL
NO	DESCRIPTION	MATERIAL	Q'TY	FINISH



APPROVED

by _____ DATE: _____

DESCRIPTION		HERMETICALLY SEALED TNC STRAIGHT BULKHEAD JACK-JACK ADAPTER						
製圖	DRAWN <i>Kristina</i>	TOLERANCE	品名	15-34-5 T.G.N	日期	DATE	版次	REV.
檢圖	CHECK <i>Ivan</i>	.X ±0.2	TITLE	\ROHS COMPLIANT (50μ)	05.23.12'		A-4	
認定	APPROVAL <i>Angela</i>	.XX ±0.1	單位	mm(in)	DWG.NO.	15-0210		
		.XXX ±0.05	比例	SCALE				
		ANGLE ±5°		3:1				