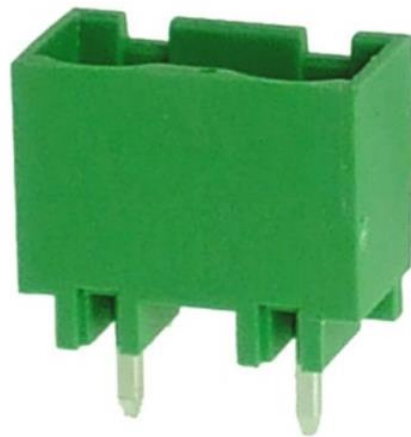
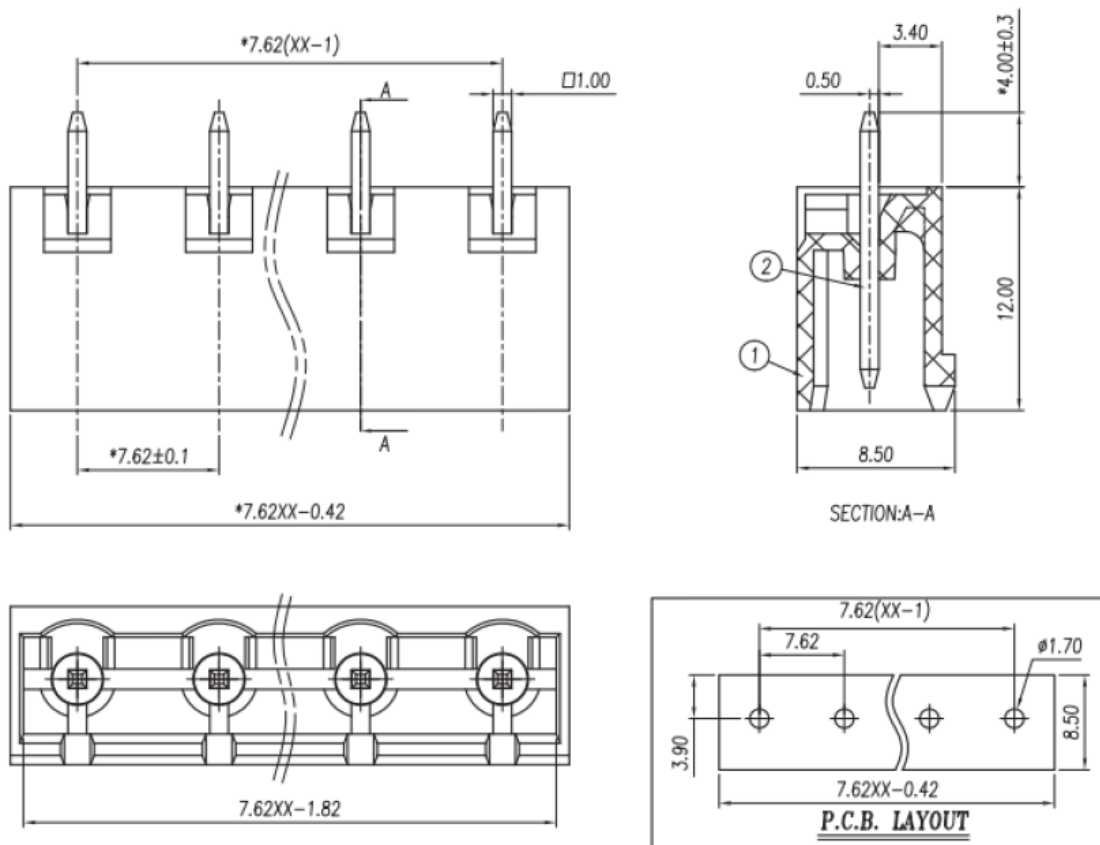


New 7.62mm Header Vertical 15A 2 Way



Dimensions: (mm)





Specifications:

Pitch	7.50mm (7.62mm)
UL Rating	300V 15 Amps
IEC Rating	450V 20 amps
Solder Pin	Brass, Tin plated
Wire Range	n/a
PCB Hole Diameter	1.7mm
Screw	n/a
Screw Torque	n/a
Insulation Voltage	AC2000V / 1 Min
Initial Contact Resistance	20mΩ
Insulation resistance	500MΩ / DC500V
Temperature Range	-40 to +105°C
Max Soldering	+250°C for 5 sec

Materials

- Housing: PA66 / UL94V-0
- Pin Header: Brass / Tin Plated

Tolerances

	linear dimension				fillet	chamfer	∠	short angle sid	≡	—	□	//	⊥				
	to	over	over	over													
variable range	to 6	over 6 to 30	over 30 to 120	over 120 to 480	all	to 6 to	to 10 to	over 10 to 50 to	over 50 to 120 to	all	to 5 to	over 30 to 120 to	over 120 to				
tolerance	±0.1	±0.2	±0.3	±0.5	±0.9	±0.2	±0.5	±1	1°	30'	20'	10'	0.5	0.025	0.06	0.12	0.4