

Multi-Function Panel Meter – Process Indicator

FEATURES

- Thermocouple & RTD Inputs
- Voltage and Current Analogue Inputs
- Pre-Scalable Display
- Programmable Range and Offset
- Large high brightness 7-Segment Display
- Programmable Decimal Point
- Hours Run Counter with Maximum duty indication for maintenance alert
- Flush Mounting 96x48mm
- Shallow depth 65 mm
- °C/°F Selection
- 24 Vdc Sensor supply

RS PRO Multi-Function Panel Meter – Process Indicator

RS Stock No.: **2333535**



RS Professionally Approved Products bring to you professional quality parts across all product categories. Our product range has been tested by engineers and provides a comparable quality to the leading brands without paying a premium price.

Multi-Function Panel Meter – Process Indicator

Product Description

- Measure 0-20mA, 4-20mA and 0-10V analogue Current and Voltage signals, Thermocouple (Type J,K,T,R,S & RTD (Pt100) 2 & 3-wire inputs convert to and display real process values
- Display Temperature, Pressure, Flow Rate, Level and other process values when measured by a compatible input device
- Programmable Hours/Days Run Counter with indication when maintenance inspection required
- Typical industry sector applications include, Control Panels, Plastic Moulding, Power Generation and Distribution, Pharmaceutical, Oil & Gas, Food & Beverage, Paper...

Functional Specifications

Menu Password	60 Default (User selectable)		
Analogue Input Details			
Analogue Inputs	Voltage: 0 to 10Vdc, Current: 0 to 20 mA, 4 to 20 mA		
Analogue Input Resolution	1/0.1, 1/0.01, 1/0.001		
Analogue Input Measurement accuracy	Signal input: 0.5% of full scale		
Sensor Input Details			
Sensor input types	Thermocouple, J, K, T, R, S. RTD (Pt100) 2 & 3-wire.		
Sensor Measurement Ranges	Sensor Type	°C	°F
	J-Type	-200 - 950	-328 - 1742
	K-Type	-200 - 1350	-328 - 2462
	T-Type	-200 - 400	-328 - 752
	R & S Type	0 - 1750	32 - 3182
	RTD (Pt100)	-200 - 850	-328 - 1562
Sensor Measurement Accuracy	RTD	+/-0.1% FS	+/-1°
	J, K & T	+/-0.25% FS	+/-1°
	R & S	+/-0.5 FS	+/-2°
Sensor Measurement Resolution	J,K,T & Pt100: 0.1°/1°. R & S: 1°		
Sensor Measurement Accuracy	Signal input: 0.5% of full scale		
Temperature Unit	°C/°F selectable		
Signal sample time	168ms		
Display	7-segment, Red.		
4 x Function Keys	ESC, DOWN, UP, ENTER		
Key De-Bounce Time	>= 40ms		

Mechanical Specifications

Bezel Size	48 x 96 x 65 mm
Degree of Protection	IP65: Front plate, IP20: terminals, IP30 Enclosure
Panel cut-out	92 x 45 mm
Enclosure	Flame Retardant (UL94 V-0)
Weight (unpacked)	145 gm
Operation orientation	Horizontal

Multi-Function Panel Meter – Process Indicator

Electrical Specifications

Supply Voltage	180 – 270 Vac`
Supply Frequency	47 – 63 Hz
Power Consumption	5 VA Max @ 230 Vac
Sensor Supply output	24 Vdc

Environmental Characteristics

Operating Temperature	0 to 50°C
Storage Temperature	-20 to 75°C
Operating Humidity	85% RH (Non-Condensing)
Operating Altitude	2000 m (max)
Pollution Degree	II

Additional Information

EAN	N/A
Custom Tariff Number	90303100

Approvals

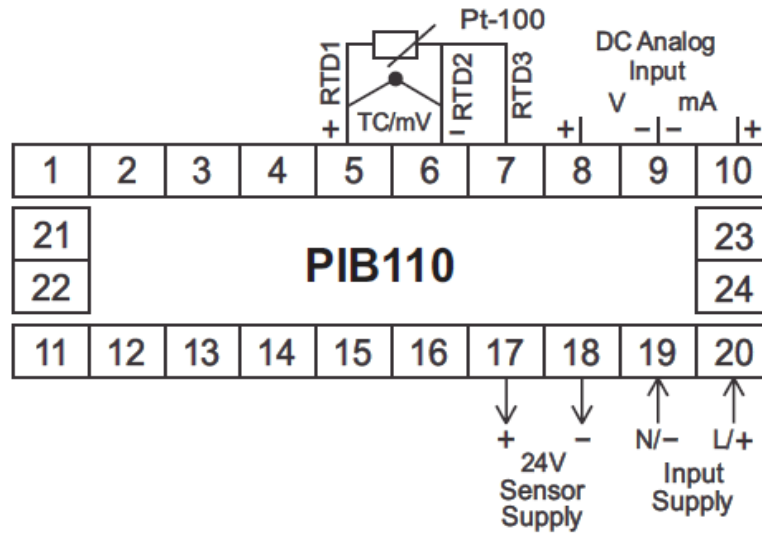
Declarations	MFR Declaration of Conformity
Standards Met	CE, UKCA

Similar Products

Stock No.	Brand	Product Name	Features
2333534	RS PRO	Process Indicator	Analogue Input 0 – 20 mA, 4 – 20 mA, 0 – 10 Vdc
2333538	RS PRO	Process Indicator	RTD & Thermocouple inputs
2333536	RS PRO	Process Indicator/Controller	Analogue (I & V) RTD & Thermocouple inputs. 24Vdc Sensor Supply output, 2 x SPDT Alarm Relay outputs
2333537	RS PRO	Process Indicator/Controller	Analogue (I & V) RTD & Thermocouple inputs. 24Vdc Sensor Supply output, 2 x SPDT Alarm Relay outputs RS-485 Modbus Communication

Multi-Function Panel Meter – Process Indicator

Connections



Dimensions

All dimensions in mm

