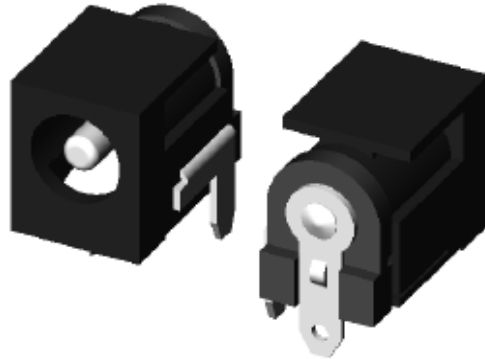


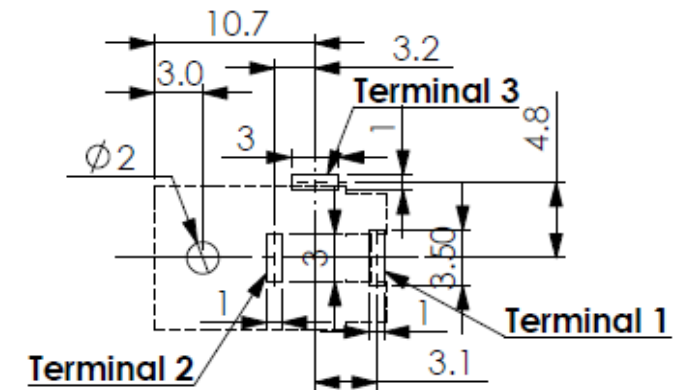
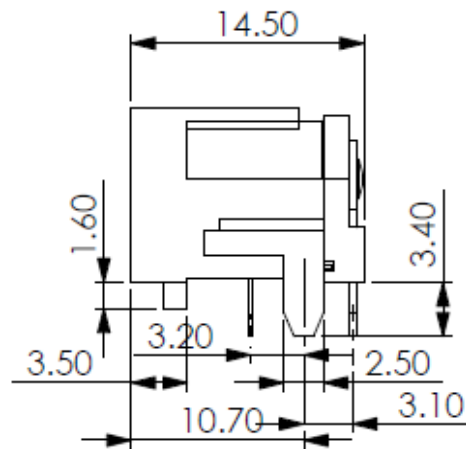
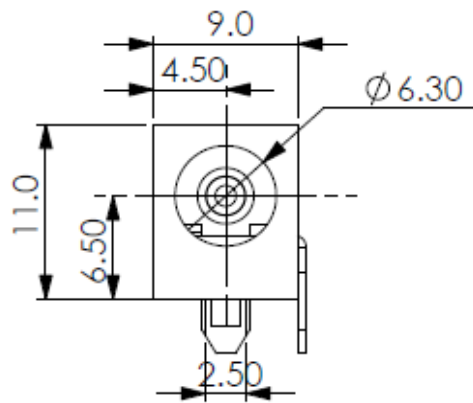
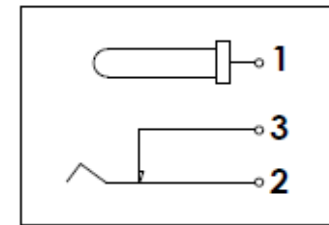
Data sheet

DC Power Socket

RS Stock No. [487-836](#)



SCHEMATIC



RECOMMENDED P.C.B. LAYOUT
(BOTTOM VIEW)

No.	Description	Material
1	Housing	PA6T
2	Back Base	PA6T
3	Centre Pin 2.5	Copper
4	Terminal 1	Brass
5	Terminal 2	Copper
6	Terminal 3	Brass

Specifications:

- Rating: 16V DC 2.5A max.
- Contact Resistance: 50mΩ max.
- Insulation Resistance: 50mΩ at 500V DC min.
- Voltage Withstand: 500V AC, 1minute