

Features



- The tap splice is placed over the existing wire, the additional wire inserted and the block crimped with pliers
- The tap splice is crimped over the wire as above. A 6.3 mm push-on blade can then be inserted into the female blade socket. Suitable for splicing or as a break-in test lead
- Simple to use - apply with pliers
- Excellent electrical connection with out cutting tap or run wires

Preparation

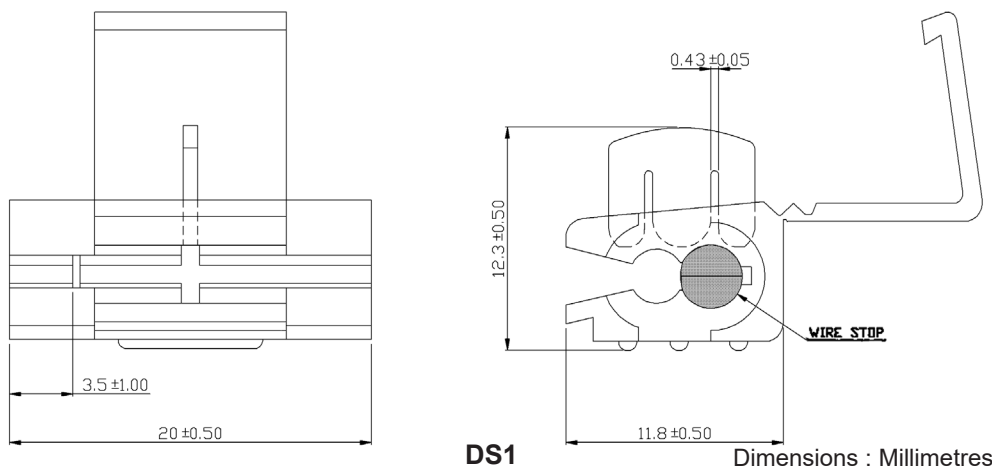
To make a top connection as illustrated

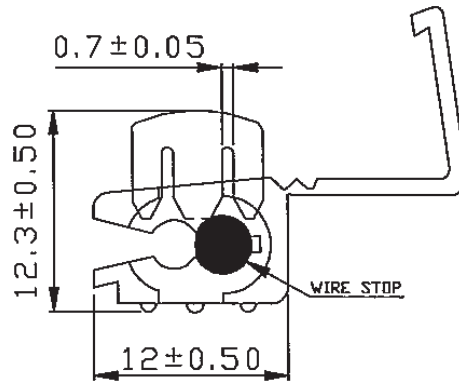
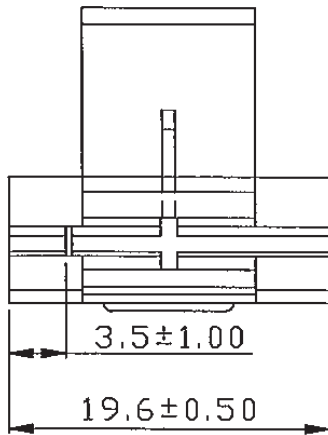
Slip the run wire through the side slot and the top wire through the end of the connector. Make the connection by driving down the U element over the conductors, flush with the top of the connector. Snap over the hinged cover

Specification Table

Parameter	DS1			DS2				
	Maximum Electric Current	AWG	22	20	18	AWG	18	16
	AMP	3	4	7	AMP	17	18	30
Voltage Rating	600V Max.							
Temperature Rating	105°C							
Insulation Material	PP							
Terminal Material	Brass							
Surface Treatment	Tin Plated							
Insulation Colour	Red				Light Blue			
Wire Range	22-18AWG (0.5-0.75mm ²)				18-14AWG (0.75-2.5mm ²)			
Terminal Thickness	0.8mm							

Diagram





DS2

Dimensions : Millimetres

Part Number Table

Description	Part Number
Tap Splice, 22-18AWG (0.5-0.75mm ²), Red, PK25	DS1
Tap Splice, 18-14AWG (0.75-2.5mm ²), Light Blue, PK25	DS2

Important Notice : This data sheet and its contents (the "Information") belong to the members of the AVNET group of companies (the "Group") or are licensed to it. No licence is granted for the use of it other than for information purposes in connection with the products to which it relates. No licence of any intellectual property rights is granted. The Information is subject to change without notice and replaces all data sheets previously supplied. The Information supplied is believed to be accurate but the Group assumes no responsibility for its accuracy or completeness, any error in or omission from it or for any use made of it. Users of this data sheet should check for themselves the Information and the suitability of the products for their purpose and not make any assumptions based on information included or omitted. Liability for loss or damage resulting from any reliance on the Information or use of it (including liability resulting from negligence or where the Group was aware of the possibility of such loss or damage arising) is excluded. This will not operate to limit or restrict the Group's liability for death or personal injury resulting from its negligence. Multicomp Pro is the registered trademark of Premier Farnell Limited 2019.