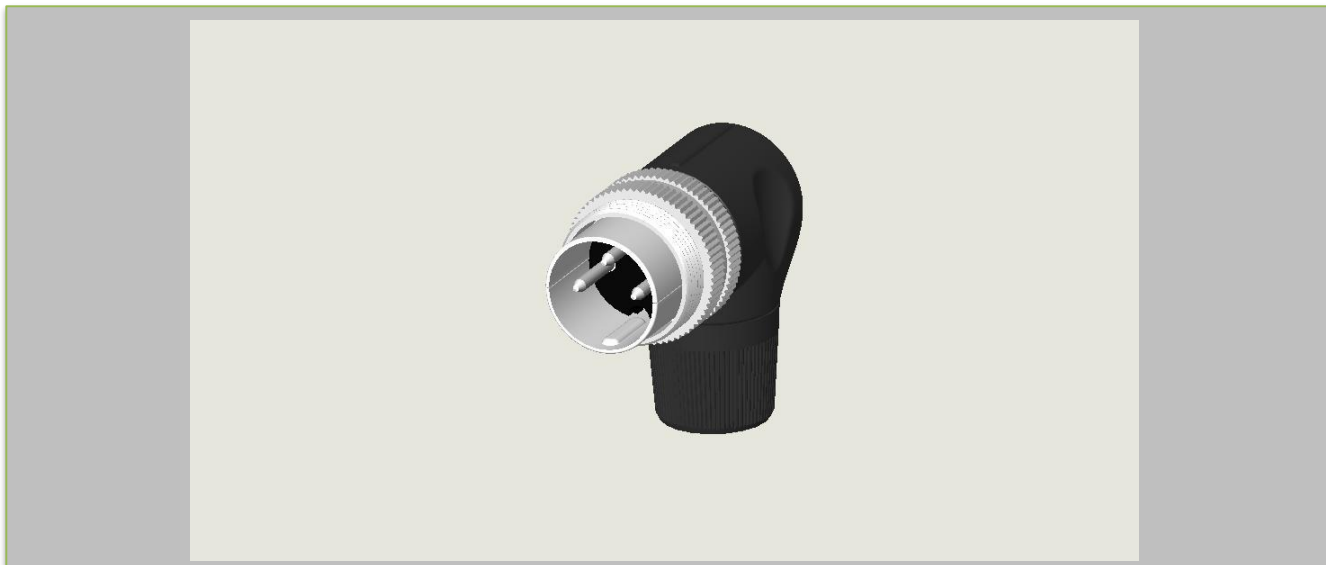


Datasheet

RS PRO DIN PLUG SCREW LOCK

Stock No: 2100237



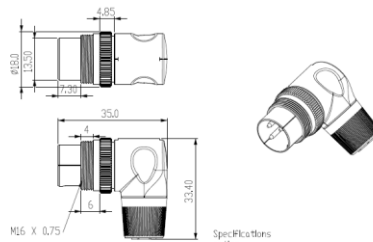
Technical Specifications:

To include attributes e.g. height, width, depth, color etc.

Connector type:	Plug
Mounting type:	Cable
IP Rating:	IP40
Contact Gender:	Male
Number of Contact:	3

Dimensional line drawings

See examples on Brandzone



M6 X 0.75

Specifications
rating :
30V AC 4A MAX
contact resistance :
pins-30 ohm MAX; shell-30ohmMAX
insulation resistance :
MIN 100 MEG ohm @50V DC
voltage withstand :
250V AC RMS, for 1 minute

ITEM	REV	DATE	BY	CHKD	APP	REASON	REV	DATE	BY	CHKD	APP	REASON	REV	DATE	BY	CHKD	APP	REASON	
1																			