

1

2

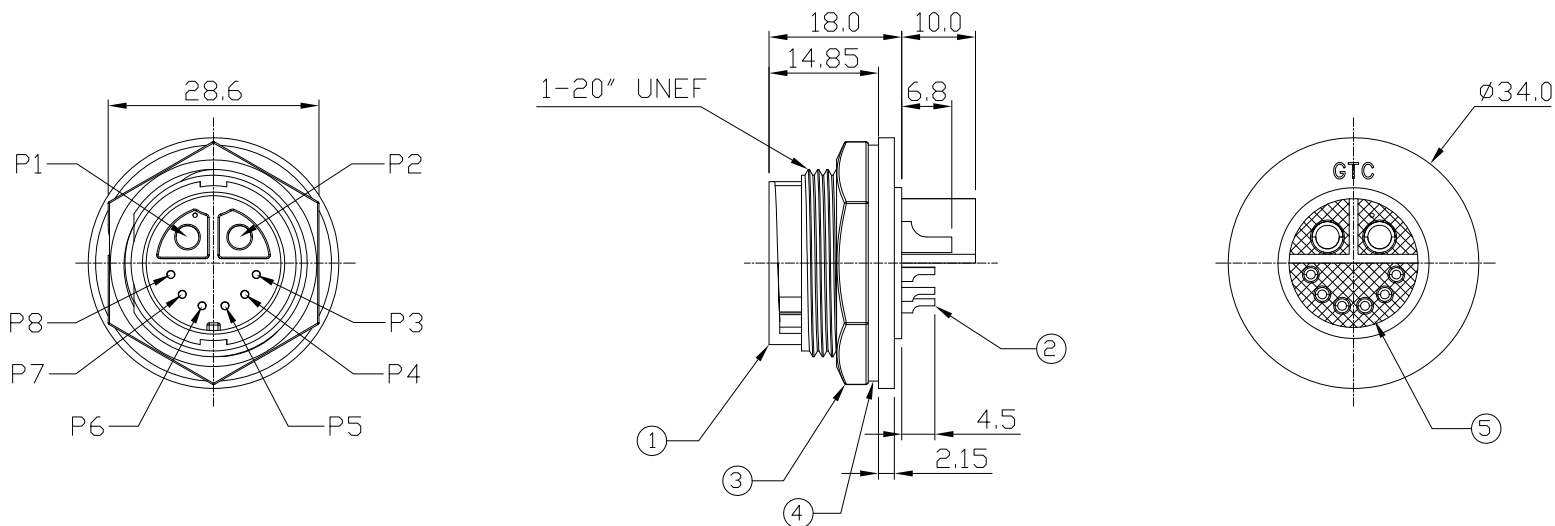
3

4

REV	ECN#	DESCRIPTION OF REVISION	DRAW BY DATE	CHECK BY DATE	APPROVE BY DATE
A0		Mass Production	Lucas 06/16/11	Lucas 06/16/11	Ray 06/16/11

Notes: (Unless Otherwise Specified)

1. Waterproof Rate: IP67.
2. Recommend Panel Thickness: 0.8 to 4.0 mm.
3. Recommend Torque: 6.0~7.0 Kgf-cm.
4. RoHS Compliance.



5	Glue	Epoxy Color: Black	
4	Gasket	Silicone Color: Black	1
3	Hex Nut	Thermal Plastic Color: Black	1
2	Contacts	Copper Alloy Finish: Au Plated	8
1	Housing	Thermal Plastic Color: Black	1
Item	Part Name	Material / Finish	Q'ty

TITLE						Mating Part No.			REV.
C4 20A+3A 2P+6P Panel Female+Male Solder Lock						179-7943			A0
THIRD ANGLE PROJECTION	SIZE	SCALE	DRAW / DATE	CHECK / DATE	APPROVE / DATE	TOLERANCES	UNIT	SHEET	
	B	1:1	Lucas 12/28/10	Ray 12/28/10	Ray 12/28/10	X.X ± 0.5 X.XX ± 0.2	X.XXX ± 0.05 ANGLES ± 1°	mm 1/1	

Part No.
179-7942
Cap:
179-7954



1

2

3

4