

Datasheet

Worm Drive Stainless Steel Hose Clip

RS Stock No: 145-0283

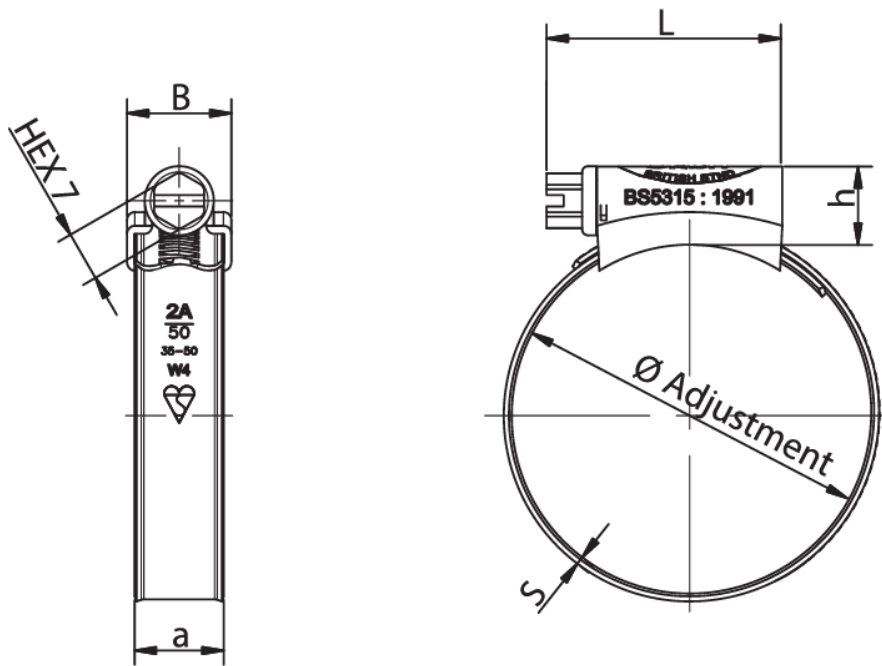


Specification:

Material: AISI304 – All 304 Stainless Steel

Plating: None

Drawing:



| Stock no | BS Size | Range | | L max | S±0.05 | h max | a Band Width | b max | Torque Nm |
|----------|---------|-----------|---------------|-------|--------|-------|--------------|-------|-----------|
| | | mm | in | | | | | | |
| 1450264 | 12 | 9.5 – 12 | 3/8 - 1/2 | 19.5 | 0.80 | 10.0 | 9.5 | 12.3 | 4.5 |
| 1450265 | 16 | 11 – 16 | 1/2 - 5/8 | | | | | | |
| 1450266 | 20 | 13 – 20 | 1/2 - 3/4 | | | | | | |
| 1450267 | 22 | 16 – 22 | 5/8 - 7/8 | 25.0 | | 11.5 | 12.0 | 14.7 | 5.6 |
| 1450268 | 25 | 18 – 25 | 3/4 - 1 | | | | | | |
| 1450269 | 30 | 22 – 30 | 7/8 - 1 1/8 | | | | | | |
| 1450270 | 35 | 25 – 35 | 1 - 1 3/8 | | | | | | |
| 1450271 | 40 | 30 – 40 | 1 1/8 - 1 5/8 | | | | | | |
| 1450272 | 45 | 35 – 45 | 1 3/8 - 1 3/4 | | | | | | |
| 1450273 | 50 | 35 – 50 | 1 3/8 - 2 | 33.0 | | | | | 7.9 |
| 1450274 | 55 | 40 – 55 | 1 5/8 - 2 1/8 | | | | | | |
| 1450275 | 60 | 45 – 60 | 1 3/4 - 2 3/8 | | | | | | |
| 1450277 | 70 | 55 – 70 | 2 - 2 3/4 | | | | | | |
| 1450278 | 80 | 60 – 80 | 2 3/8 - 3 1/8 | | | | | | |
| 1450279 | 90 | 70 – 90 | 2 3/4 - 3 1/2 | | | | | | |
| 1450280 | 100 | 85 – 100 | 3 1/8 - 4 | | | | | | |
| 1450281 | 120 | 90 – 120 | 3 1/2 - 4 3/4 | | | | | | |
| 1450283 | 140 | 120 – 140 | 4 1/8 - 5 | | | | | | |
| 1450284 | 150 | 130 – 150 | 5 - 5 3/4 | | | | | | |
| 1450285 | 160 | 130 – 160 | 5 1/8 - 6 1/4 | 9.0 | | | | | |
| 1450286 | 180 | 150 – 180 | 5 7/8 - 7 1/8 | | 7.9 | | | | |



Product feature:

These hose clips are manufactured in 304 grade stainless steel. They are tested and “BSI Kitemark™” certified according to British Standard 5315:1991. OBBSW4 is made entirely from AISI-304 stainless steel, austenitic grade 18/8 Stainless Steel (18% Chromium with 8% Nickel), which is comparable to W4 DIN3017 (German Standard).

The hose clip is optimized for hose protection by raising the band edges and precisely stamping the band to provide a smooth underside surface. It provides the ultimate exterior hose wall protection with a non-perforated band, which gives more protection to the soft hose surface, during the installation and usage.