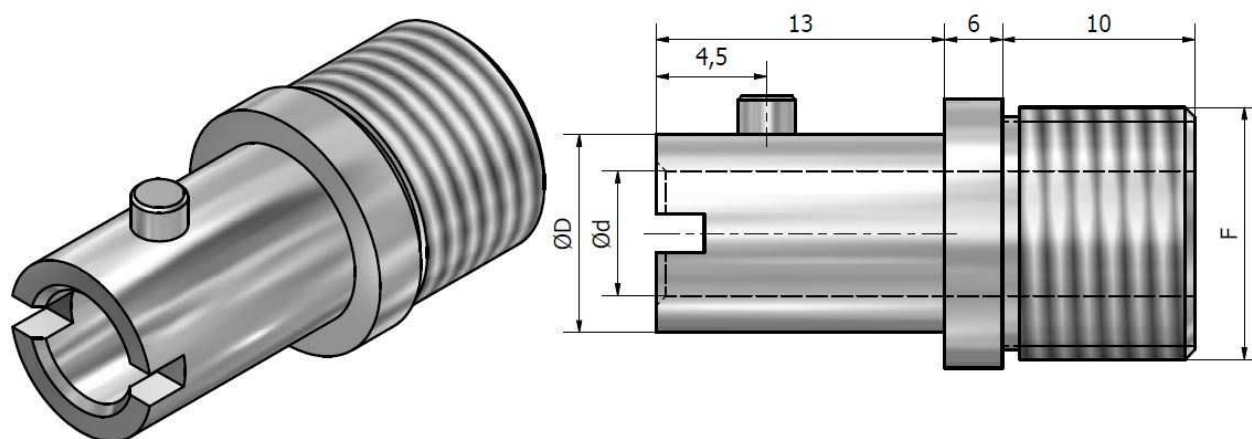


# Data sheet

## SENSOR BAYONET BASE

ENGLISH

RS Stock No. 324-2178



### SENSOR BAYONET BASE

**USE :** Plastic factory

**MATERIAL :** Nickel plated brass

**Lock type possible :**

- A =  $\varnothing 10.5 \times 14$  mm
- B =  $\varnothing 12.3 \times 14.5$  mm
- C =  $\varnothing 12.5 \times 18$  mm
- D =  $\varnothing 14.5 \times 18$  mm
- E =  $\varnothing 15 \times 18$  mm
- F =  $\varnothing 10.6 \times 14$  mm

Characteristics :	C6	L6	L8	D8
$\varnothing D$ (mm)	10.3	12	12	14.2
$\varnothing d$ (mm)	5-6	5-6	8	8
For lock type :	A-F	B-C-G	B-C-G	D-E

**Other Dimensions :**

Thread F	C6	L6	L8	D8
M10 X 100	324-2099	324-2184		
M10 X 150	324-2106	324-2190		
M12 X 100	324-2128	324-2207	324-2314	
M12 X 175	324-2134	324-2213	324-2320	324-2364
M14 X 150	324-2140	324-2229	324-2342	
1/4" GCY	324-2162	324-2241		324-2386
<b>1/8" NPT</b>	<b>324-2178</b>			