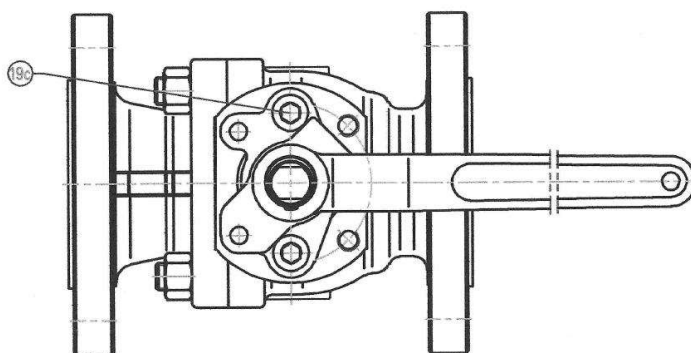
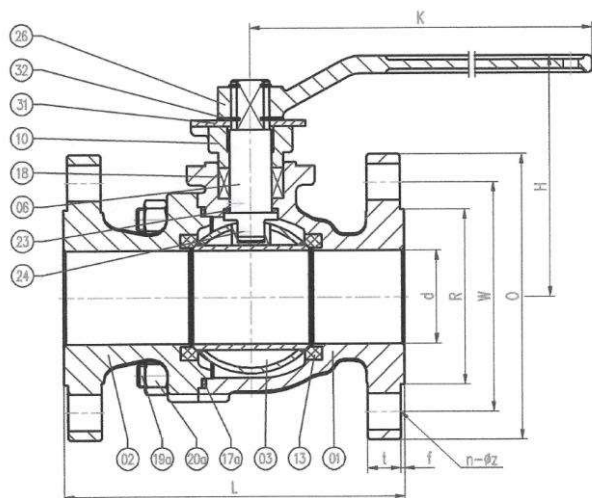


# ANSI 300# Cast Steel 2 Piece Flange Ball Valves WCB

## Features

- Full Bore
- Solid Ball
- ANSI 300# Flange Connection
- Sizes: 1 1/2" - 6" (DN40 – DN150)
- Working Pressure: 300#
- Valve Body Material: A216 WCB
- Applicable Medium: General Oil, Gas & Water Applications
- Blow-out Proof Stem Design
- Temperature: ≤ 100 Deg C



## Technical Specifications

1. Basic design and manufacture according to API 608
2. Valve body wall thickness according to ASME B16.34
3. Face-to-face dimensions complies with ASME B16.10
4. Flange ends complied with ASME B16.5
5. Inspection and tested according to API 598

Main Technical Parameter			
Normal pressure		300#	
Test pressure	Body test pressure	7.8	MPa
	Seat test pressure	5.6	
	Hermetical sealing test	0.6	
Max working temperature		≤ 100	°C
Applicable medium: General oil, gas & water			

## Material List

No.	Part Name	Material	No.	Part Name	Material
1	Body	ASTM A216 WCB	19a	Bolts	ASTM A193 B7
2	Body Connector	ASTM A216 WCB	19c	Screw	ASTM A193 B7
3	Ball	ASTM A240 304	20a	Nuts	ASTM A194 2H
6	Stem	ASTM A182 F304	23	Thrust Washer	PTFE
10	Packing Gland	ASTM A216 WCB	24	Anti-static Device	SS304
13	Seat	PTFE	26	Lever	ASTM A216 WCB+Zn
17a	Gasket	SS304+Graphite	31	Stopper	ASTM A29 1025+Zn
18	Packing	Flexible Graphite	32	Ring	ASTM A29 1566

**Ordering Information**

VL - CS - B2 - F - 300 - 08  
 I II III IV V VI

**I Type of Item**  
 VL Low Pressure Valves

**II Material Grade**  
 S SS316, CF8M CI Cast Iron  
 FS Forged Steel CS Cast Steel  
 B Brass

**III Item**  
 GA Gate Valve B1 1 PC Ball Valve  
 GL Globe Valve B2 2 PC Ball Valve  
 YS Y-Strainer B3 3 PC Ball Valve  
 SC Swing Check Valve BL 3 Way Ball Valve L Port  
 VC Vertical Check Valve BT 3 Way Ball Valve T Port  
 WC Wafer Check Valve BMF Male x Female Mini Ball Valve  
 DD Dual Disk BU Butterfly Valve

**IV Connection Type**  
 SW S/W G BSPP  
 BW B/W N NPT  
 R BSPT F Flange End  
 W Wafer L Lug

**V Pressure**  
 200 200 PSI 2000 2000 PSI  
 300 300 PSI 150 ANSI 150# Flange Standard  
 600 600 PSI 10K JIS 10K Flange Standard  
 800 800 PSI PN16 PN 16 Flange Standard  
 1000 1000 PSI

**For Inch OD & Inch NB Sizes**

**VI Size**

Size	1/8"	1/4"	5/16"	3/8"	1/2"	5/8"	3/4"	1"
Code	02	04	05	06	08	10	12	16
Size	1 1/4"	1 1/2"	2"	2 1/2"	3"	4"	5"	6"
Code	20	24	32	40	48	64	80	96

**VII Coating**  
 (None) No Additional Coating  
 NI Nickel Plating

**Dimension List**

NPS	Connection	Impa Code	Part No	L	d	O	W	R	n-Øz	f	t	H	K	Weight (Kg)
1 1/2"	Flange End	-	VL-CS-B2-F-300-24	190	40	155	116	77	4 - Ø 22	2	20	130	195	10.60
2"	Flange End	-	VL-CS-B2-F-300-32	216	50	165	128	98	8 - Ø 19	2	20.5	140	235	13.68
2 1/2"	Flange End	-	VL-CS-B2-F-300-40	241	65	191	150	110	8 - Ø 22	2	23	165	255	19.90
3"	Flange End	-	VL-CS-B2-F-300-48	282	78	210	168	133	8 - Ø 22	2	27	185	275	30.40
4"	Flange End	-	VL-CS-B2-F-300-64	305	100	255	200	165	8 - Ø 22	2	30	195	520	48.50
6"	Flange End	-	VL-CS-B2-F-300-96	403	150	320	272	222	12- Ø 22	2	36.5	260	775	99.20

**Part Number Reference**

Impa Code	Part No	Description
-	VL-CS-B2-F-300-24	1 1/2" 300# CS FLANGE END BALL VALVE WCB, NON-FIRE SAFE DESIGN, SOLID BALL
-	VL-CS-B2-F-300-32	2" 300# CS FLANGE END BALL VALVE WCB, NON-FIRE SAFE DESIGN, SOLID BALL
-	VL-CS-B2-F-300-40	2 1/2" 300# CS FLANGE END BALL VALVE WCB, NON-FIRE SAFE DESIGN, SOLID BALL
-	VL-CS-B2-F-300-48	3" 300# CS FLANGE END BALL VALVE WCB, NON-FIRE SAFE DESIGN, SOLID BALL
-	VL-CS-B2-F-300-64	4" 300# CS FLANGE END BALL VALVE WCB, NON-FIRE SAFE DESIGN, SOLID BALL
-	VL-CS-B2-F-300-96	6" 300# CS FLANGE END BALL VALVE WCB, NON-FIRE SAFE DESIGN, SOLID BALL